

# Owner's and Safety Manual

for Electric Chain Saws (pages 2 - 23)

# Manuel d'emploi et de sécurité

de tronçonneuses électrique (pages 24 - 45)

# Manual de empleo y de seguridad

de motosierras eléctricas (páginas 46 - 67)

## WARNING!

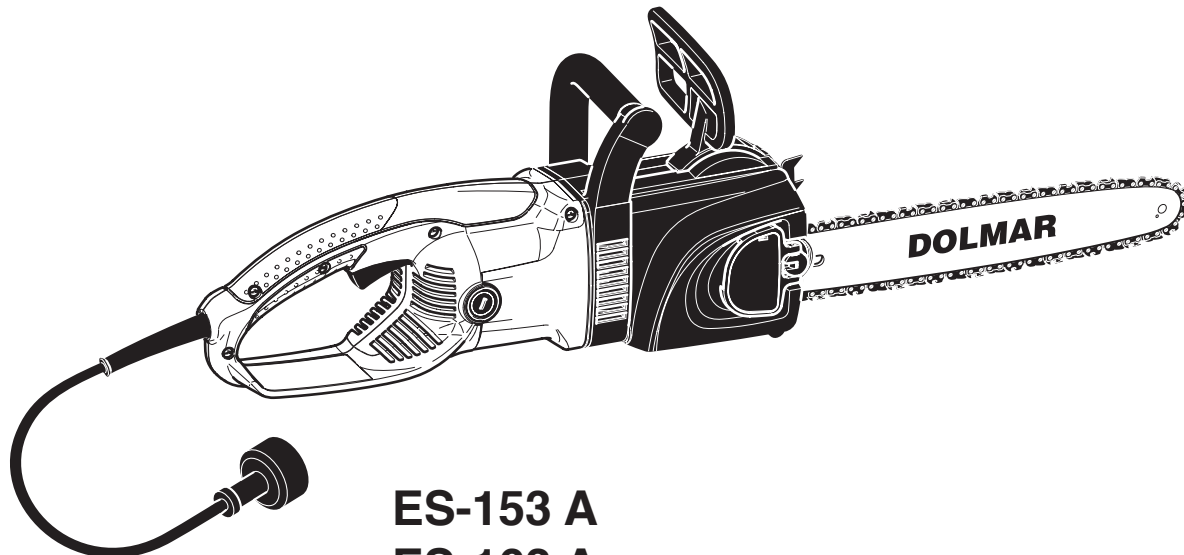
Read and understand this Manual. Always follow safety precautions in the Owner's and Safety Manual.  
Improper use can cause serious injury!  
Preserve this Manual carefully!

## ATTENTION!

Suivez toujours les conseils de sécurité du présent manuel d'emploi et de sécurité.  
Une utilisation incorrecte de la tronçonneuse peut entraîner des blessures graves!  
Conservez avec soin ce manuel.  
Lisez et comprenez ce manuel.

## ¡PRECAUCIÓN!

Lea y comprenda este manual. Observe siempre las precauciones de seguridad que contiene el manual de empleo y de seguridad. Un uso inadecuado puede causar lesiones graves.  
Guarde este manual cuidadosamente.



**ES-153 A**  
**ES-163 A**  
**ES-173 A**

---

**DOLMAR**



## Thank you for your trust in our product

We congratulate you on your new DOLMAR electric chain saw. We are convinced that you will be satisfied with this modern machine.

DOLMAR electric chain saws are characterized by their robust, high-efficiency motors and high chain velocities which allow an excellent cutting efficiency. They are equipped with numerous state-of-the-art safety devices, are light, handy and can be put into operation immediately wherever electric power is provided.

In order to guarantee the optimal function and performance of your electric chain saw and to ensure your personal safety we would request you to perform the following:



**Read and understand this instruction- and safety manual carefully before putting the electric chain saw into operation for the first time. Strictly observe the warnings and safety regulations! Failure to do so can result in serious injury to the operator and/or bystanders!**

**This electrically powered saw is classified by CSA as a Class 2C saw. It is intended for infrequent use by homeowners, cottagers, and campers, and for such general applications as clearing, pruning, cutting firewood, etc. It is not intended for prolonged use. Prolonged periods of operation can cause circulatory problems in the use's hands due to vibration. For such use, it may be appropriate to use a saw having an anti-vibration feature.**

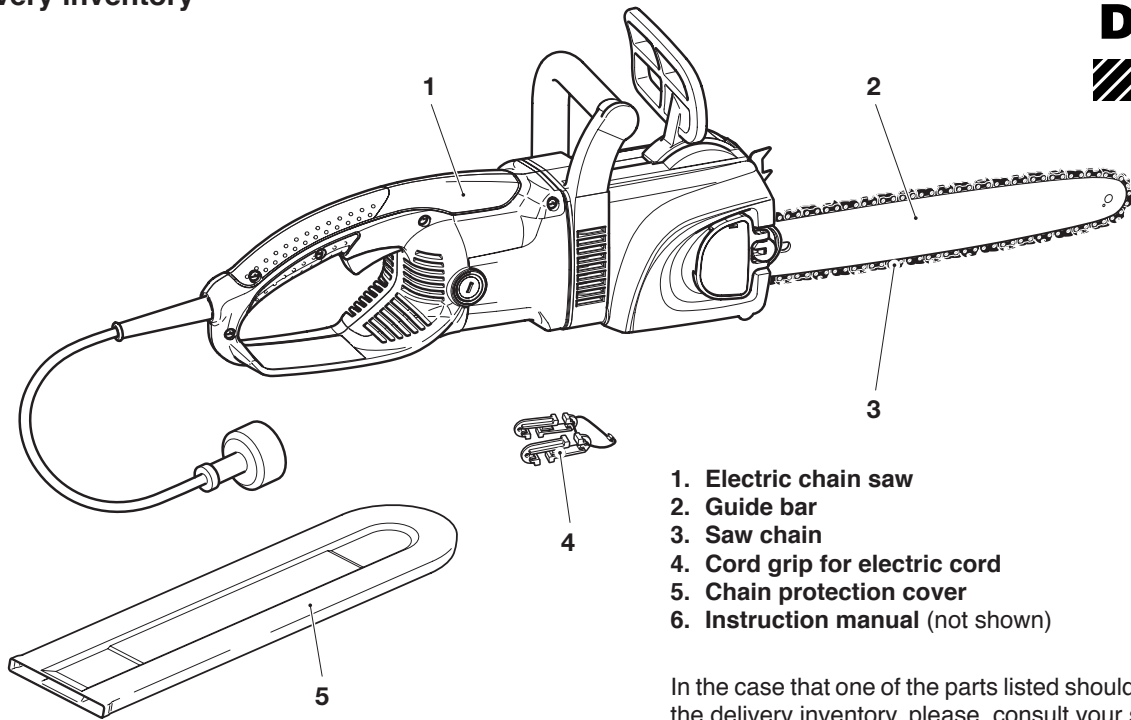
Table of contents	Page
<b>Packing</b> .....	2
<b>Delivery inventory</b> .....	3
<b>Symbols</b> .....	3
<b>SAFETY INSTRUCTIONS</b> .....	4-6
Use of extension cord .....	6
<b>Chain saw nomenclature</b> .....	7
<b>PUTTING INTO OPERATION</b>	
Mounting the guide bar and saw chain .....	8-9
Tightening the saw chain .....	9
Checking the chain tension .....	10
Chain brake .....	10
Saw chain oil .....	11
Refilling the oil tank .....	12
Lubricating the saw chain .....	12
Plug in the saw .....	13
Switching on the motor .....	13
Checking the chain brake .....	14
Checking the run-out brake .....	14
Checking the chain lubrication .....	14
<b>Felling a tree</b> .....	15-16
<b>MAINTENANCE</b>	
Sharpening the saw chain .....	17-18
Cleaning the guide bar/lubricating the sprocket nose .....	18
Replacing the saw chain .....	19
Inspecting and replacing the carbon brushes .....	19
<b>Trouble shooting</b> .....	20
<b>Instructions for periodic maintenance</b> .....	20
<b>Service, spare parts and guarantee</b> .....	21
<b>Technical data</b> .....	22
<b>Extract of spare parts list</b> .....	23
Accessories .....	23

## Packing

The DOLMAR electric chain saw will be delivered in a protective cardboard box to prevent transport damages.

Cardboard is a basic raw material and is therefore consequently reuseable or suitable for recycling (waste paper recycling).





- 1. Electric chain saw
- 2. Guide bar
- 3. Saw chain
- 4. Cord grip for electric cord
- 5. Chain protection cover
- 6. Instruction manual (not shown)

In the case that one of the parts listed should not be included in the delivery inventory, please, consult your sales agent.

**Symbols**

You will notice the following symbols on the chain saw and in the instruction manual:

	<b>Read instruction manual and follow the warnings- and safety precautions!</b>		<b>Maximum permissible cut length</b>
	<b>Particular care and attention!</b>		<b>Wear protective gloves!</b>
	<b>Wear protective helmet, eye and ear protection!</b>		<b>Protect against moisture!</b>
	<b>Pull out the power supply plug!</b>		<b>Direction of chain travel</b>
	<b>Pull out the power supply plug if the cable is damaged!</b>		<b>Double protective insulation</b>
	<b>Chain brake released</b>		<b>Saw chain oil</b>
	<b>Chain brake actuated</b>		<b>First aid</b>
	<b>Kickback!</b>		<b>Recycling</b>
	<b>Forbidden!</b>		

- A) Maximum Computed Kickback Angle (CKA) without using the chain brake when using the recommended bar and chain combinations.
- B) Contact of the guide bar tip with any object should be avoided! Tip contact may cause the guide bar to move suddenly upward and backward, which may cause serious injury!
- C) Always use two hands when operating the chain saw!

## IMPORTANT SAFETY INSTRUCTIONS

**WARNING: WHEN USING AN ELECTRIC CHAIN SAW, BASIC SAFETY PRECAUTIONS SHOULD ALWAYS BE FOLLOWED TO REDUCE THE RISK OF FIRE, ELECTRIC SHOCK, AND INJURY TO PERSONS, INCLUDING THE FOLLOWING:**

### READ ALL INSTRUCTIONS (1)

#### - Keep Work Area Clean

Cluttered areas invite injuries. Do not start cutting until you have a clear work area, secure footing, and a planned retreat path from the falling tree.

#### - Consider Work Area Environment

Use extreme caution when cutting small size brush and saplings because the slender material may catch the saw chain and be whipped toward you or pull you off balance. Do not operate a chain saw in a tree unless specifically trained to do so. When cutting a limb that is under tension be alert for spring back so that you will not be struck when the tension in the wood fibers is released. Don't expose chain saw to rain (3). Don't use chain saw in damp or wet locations. Do not use chain saw in presence of flammable liquids or gases.

#### - Guard Against Electric Shock

Prevent body contact with grounded surfaces. For example: metal pipes, wire fences.

#### - Keep Children Away

Do not let visitors contact chain saw or extension cord. All visitors should be kept away from work area (4).

#### - Store Idle Chain Saw

When not in use, chain saws should be stored in a dry and high or locked up place-out of the reach of children. When storing saw, use a scabbard or carrying case.

#### - Don't Force Chain Saw

It will do the job better and safer at the rate for which it was intended.

#### - Use Right Tool

Cut wood only. Don't use chain saw for purpose not intended - for example - Don't use chain saw for cutting plastic, masonry non- wood building materials.

#### - Dress Properly

Do not wear loose clothing or jewelry. They can get caught in moving parts. Rubber gloves and non-skid footwear are recommended when working outdoors. Wear protective hair covering to contain long hair.

#### - Use Safety Glasses

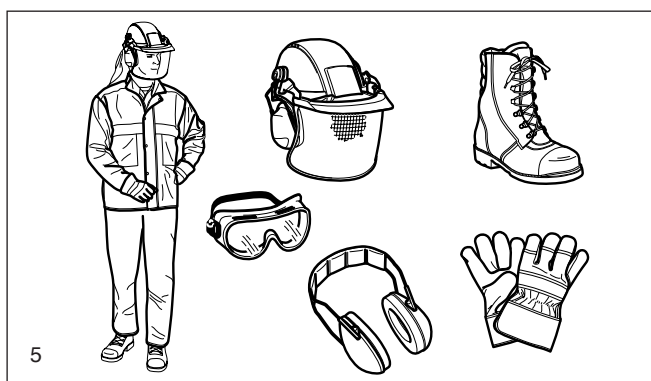
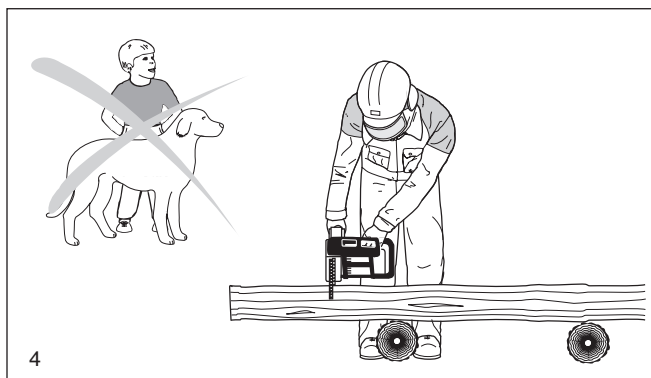
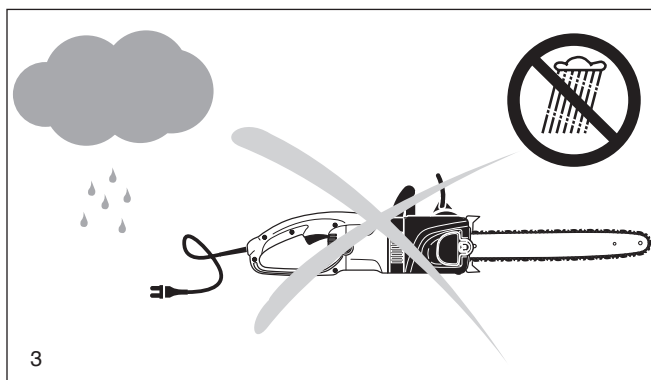
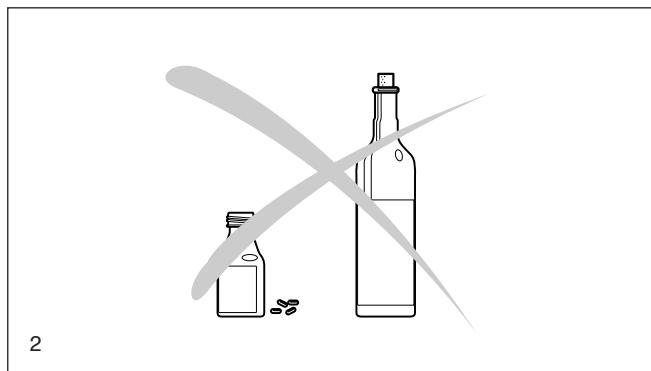
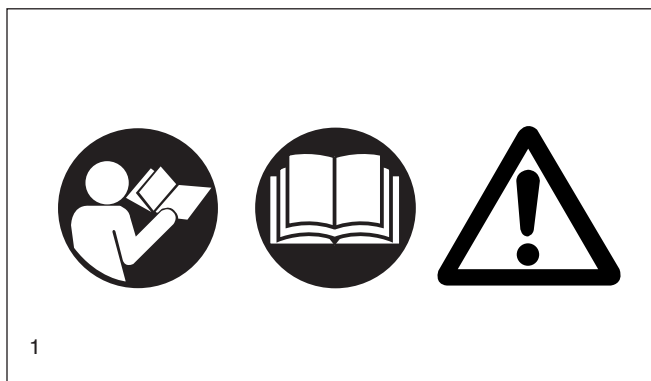
Also use safety footwear; snug fitting clothing; protective gloves; hearing and head protection (5).

#### - Carrying Saw

Carry the chain saw by the front handle with the saw stopped, finger off the switch, the guide bar and saw chain, covered with the chain protection, to the rear.

#### - Maintain Chain Saw With Care

Inspect chain saw cords periodically and if damaged, have repaired by authorized service facility. Keep cord clear of the chain and operator at all times. Never carry saw by the cord or pull it to disconnect from receptacle.



Keep cord from oil and sharp edges. Inspect extension cords periodically and replace if damaged. Keep tools sharp and clean for better and safer performance. Follow instructions for lubricating and changing accessories. Keep handles dry, clean, and free from oil and grease.

- **Disconnect Chain Saw**

Disconnect chain saw when not in use, before servicing, and when changing accessories and attachments, such as saw chain and guard (6).

- **Outdoor Use Extension Cords**

Use only extension cords intended for use outdoors and so marked.

Route the power cord in such a way that it cannot get caught in branches or other objects during sawing.

- **Stay Alert**

Watch what you are doing. Use common sense. Do not operate chain saw when you are tired. Keep all parts of the body away from the saw chain when the motor is operating. Before you start the saw, make sure the saw chain is not contacting anything.

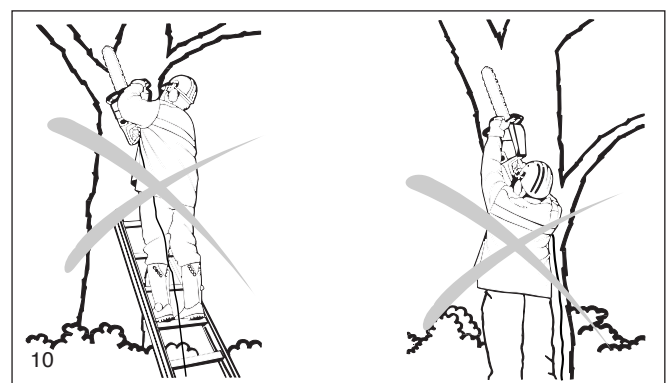
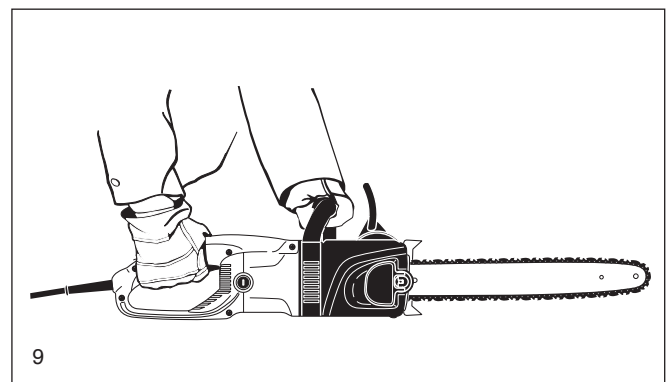
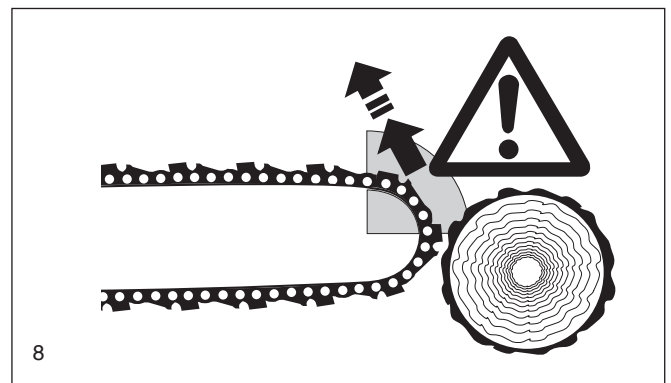
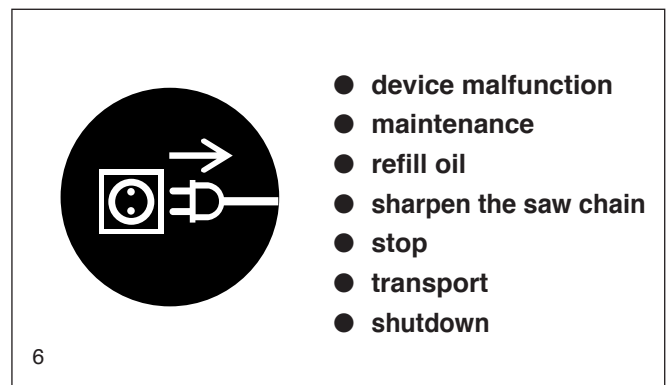
- **Check Damaged Parts**

Before further use of the chain saw, a guard or other part that is damaged should be carefully checked to determine that it will operate properly and perform its intended function. Check for alignment of moving parts, binding of moving parts, breakage of parts, mounting, and any other conditions that may affect its operation. A guard or other part that is damaged should be properly repaired or replaced by an authorized service center unless otherwise indicated elsewhere in this instruction manual. Have defective switches be replaced by authorized service center. Do not use chain saw if the switch does not turn the saw on and off. Do not operate a chain saw that is damaged, improperly adjusted, or is not completely and securely assembled (7). Be sure that the saw chain stops moving when the trigger is released.

- **Guard Against Kickback**

**WARNING:** KICKBACK may occur when the nose or tip of the guide bar touches an object (8), or when the wood closes in and pinches the saw chain in the cut. Tip contact in some cases may cause a lightning fast reverse reaction, kicking the guide bar up and back towards the operator. Pinching the saw chain along the top of the guide bar may push the guide bar rapidly back towards the operator. Either of these reactions may cause you to lose control of the saw which could result in serious injury to user. The following precautions should be followed to minimize kickback:

- Always grip each handle with the thumb and fingers encircling the handle as illustrated in (9). If a manual oiler control is provided additional or modified instructions regarding its use shall be provided.
- Do not over reach.
- Keep proper footing and balance at all times.
- Don't let the nose of the guide bar contact a log, branch, ground, or other obstruction.
- Don't cut above shoulder height (10).
- Use devices such as low kickback chain, chain brakes and special guide bars that reduce the risks associated with kickback.
- Only use replacement bars and chains specified by the manufacturer.



**- Power Supply**

Connect chain saw to correct voltage, that is, be sure that the voltage supplied is the same as that specified on the nameplate of the tool (11).

**- Replacement Parts**

When servicing, use only identical replacement parts (11).

**- Polarized Plugs**

To reduce the risk of electric shock, this equipment has a polarized plug (one blade is wider than the other). This plug will fit in a polarized outlet only one way. If the plug does not fit fully in the outlet, reverse the plug. If it still does not fit, contact a qualified electrician to install the proper outlet. Do not change the plug in any way.

**- Wear ear protectors during operation.**

**- Before making a felling cut, remove dirt, stones, loose bark, nails, staples and wire from the tree.**

**- Secure the log so that it will not rol or move suddenly during operation.**

**- AVOID UNINTENTIONAL STARTING. Don't carry plugged-in tool with finger on switch. Be sure switch is OFF when plugging in.**

**- Attention! Do not expose this tool to rain (12) and pull plug immediately if the supply cable is damaged or cut (13).**

**- The chain saw must not be left outdoors during rain and it must not be used when wet.**

**VOLTAGE WARNING:**




Before connecting the tool to a power source (receptacle outlet, etc.) be sure the voltage supplied is the same as that specified on the nameplate of the tool. A power source with voltage greater than that specified for the tool can result in **SERIOUS INJURY** to the user - as well as damage to the tool. If in doubt, **DO NOT PLUG IN THE TOOL**. Using a power source with voltage less than the nameplate rating is harmful to the motor.

**Use of Extension Cord**

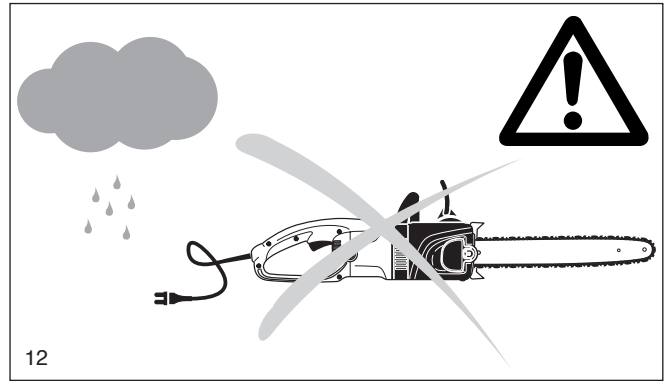
If the extension cord is intended to be used outdoors, the cord shall be marked with the suffix W-A following the cord type designation, for example - SJTW-A, to indicate it is acceptable for outdoor use. Use an extension cord heavy enough to carry the current the tool will draw. Undersized cord will cause a drop in line voltage resulting in loss of power and over-heating. Make sure the extension cord is in good condition before using. Keep the cord away from the cutting area and to position cord so that it will not be caught on branches, and the like, during cutting. Use the table below to determine the proper wire size required in the extension cord.

Contact DOLMAR Authorized or Factory Service Center if a proper extension cord cannot be found.

**Nameplate ES-173 A**

<b>DOLMAR</b>		<b>ES-173 A</b>	
14"(350mm)Chain Saw		0703 0030000	
120V~	14.5A	50-60Hz	2600FPM(800m/min)
	UL LISTED	412.035.861	
Class 2c, CSA z 62.1z 62.3		528.092.052	
DOLMAR GmbH 22045 Hamburg Germany			
		Typ 226 980.115.306	

11      Indicate when ordering spare parts!

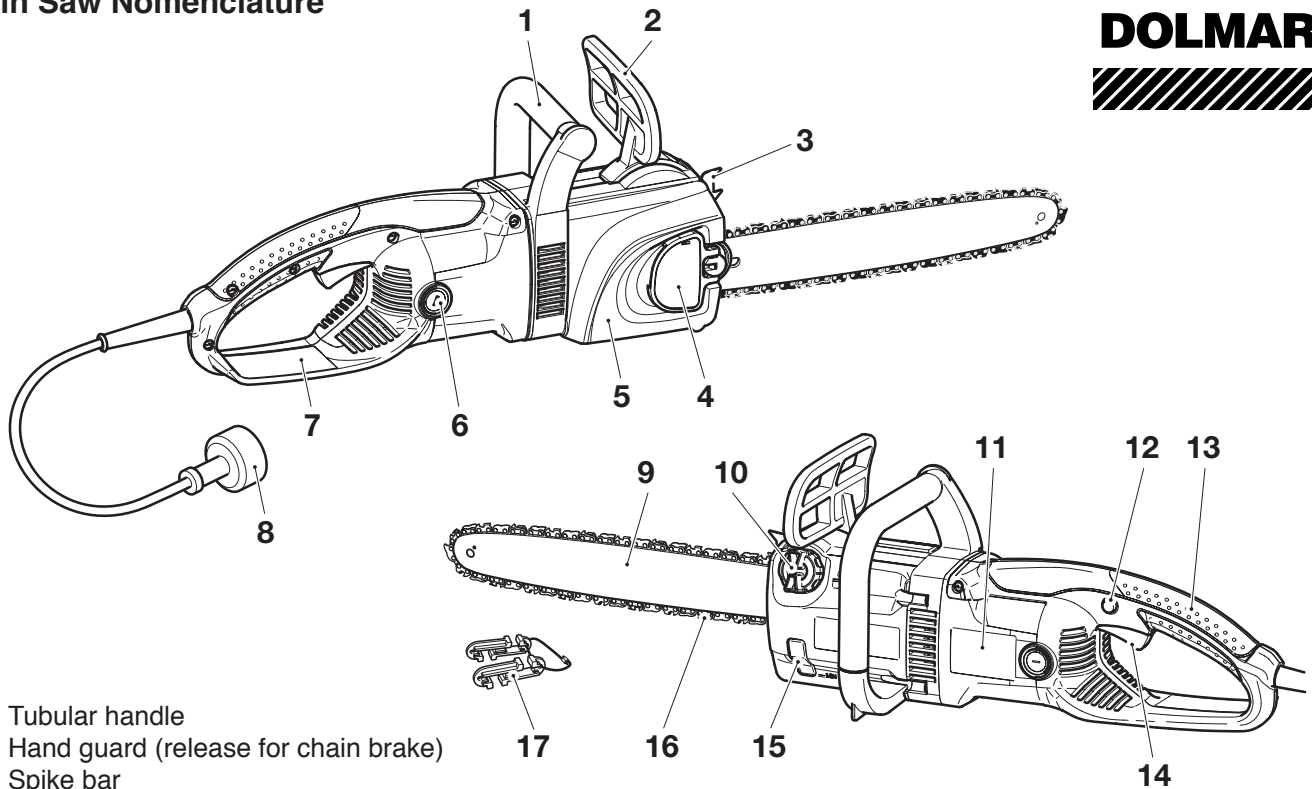


Ampere rating (on nameplate)	0-5.0	5.1-10.0	10.1-13.0	13.1-15.0
Ext. Cord Length	Wire Size (American Wire Gauge)			
25 Ft.	18	18	16	14
50 Ft.	18	16	16	14
75 Ft.	18	16	14	14
100 Ft.	16	14	12	12
125 Ft.	16	12	12	12
150 Ft.	16	12	12	-

**SAVE THESE INSTRUCTIONS !**



## Chain Saw Nomenclature



- |  |   |
|--|---|
| <ul style="list-style-type: none"> <li>1 Tubular handle</li> <li>2 Hand guard (release for chain brake)</li> <li>3 Spike bar</li> <li>4 Sprocket guard quick tightener</li> <li>5 Sprocket guard, chain brake</li> <li>6 Carbon brush cover</li> <li>7 Back hand guard</li> <li>8 Power cord with plug</li> <li>9 Guide bar</li> <li>10 Oil tank cap</li> <li>11 Identification plate</li> </ul> | <ul style="list-style-type: none"> <li>12 Locking button</li> <li>13 Rear handle</li> <li>14 Power switch</li> <li>15 Sightglass for oil level</li> <li>16 Saw chain</li> <li>17 Cord grip for electric cord (pull relief)</li> </ul> |
|--|---|

**Bucking:** The process of cross cutting a felled tree or log into lengths.

**Chain Brake:** A device used to stop the chain saw.

**Chain Saw Powerhead:** A chain saw without the saw chain and guide bar.

**Clutch** - A mechanism for connecting and disconnecting a driven member to and from a rotating source of power.

**Drive Sprocket or Sprocket:** The toothead part that drives the saw chain.

**Felling** - The process of cutting down a tree.

**Felling Back Cut** : The final cut in a tree felling operation made on the opposite side of the tree from the notching undercut.

**Front Handle:** The support handle located at or toward the front of the chain saw.

**Front Handle Guard:** A structural barrier between the front handle of a chain saw and the guide bar, typically located close to the hand position on the front handle and sometimes employed as an activating lever for a chain brake.

**Guide Bar:** A solid railed structure that supports and guides the saw chain.

**Kickback:** The backward or upward motion, or both of the guide bar occurring when the saw chain near the nose of the top area of the guide bar contacts any object such as a log or branch, or when the wood closes in and pinches the saw chain in the cut.

**Kickback, Pinch:** The rapid pushback of the saw which can occur when the wood closes in and pinches the moving saw chain in the cut along the top of the guide bar.

**Kickback, Rotational:** The rapid upward and backward motion of the saw which can occur when the moving saw chain near the upper portion of the tip of the guide bar contacts an

object, such as a log or branch.

**Low-Kickback Chain:** A chain that complies with the kickback performance requirements of ANSI B175.1 when tested on a representative sample of chain saws.

**Normal Cutting Position:** Those positions assumed in performing the bucking and felling cuts.

**Notching Undercut:** A notch cut in a tree that directs the tree's fall.

**Oiler Control:** A system for oiling the guide bar and saw chain.

**Rear Handle:** The support handle located at or toward the rear of the saw.

**Reduced Kickback Guide Bar:** A guide bar which has been demonstrated to reduce kickback significantly.

**Replacement Saw Chain:** A chain that complies with the kickback performance requirements of ANSI B175.1 when tested with specific chain saws. It may not meet the ANSI performance requirements when used with other saws.

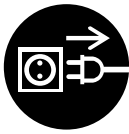
**Saw Chain:** A loop of chain having cutting teeth, that cut the wood, and that is driven by the motor and is supported by the guide bar.

**Spike Bar (Spike):** The pointed tooth or teeth for use when felling or bucking to pivot the saw and maintain position while sawing.

**Switch:** A device that when operated will complete or interrupt an electrical power circuit to the motor of the chain saw.

**Lock-Off Button:** A movable stop that prevents the unintentional operation of the switch until manually actuated.

## PUTTING INTO OPERATION



**CAUTION:** When working on the guide bar or saw chain always wear protective gloves and pull out the power supply plug.

**CAUTION:** Switch on the electric chain saw only after having assembled it completely and inspected!

**A**

### Mounting the guide bar and saw chain

Put the electric chain saw on a stable surface and carry out the following operations for mounting the bar and chain:

Release chain brake. To do this, pull the hand guard (1) in the direction of the arrow.

Flip up the sprocket guard quick tightener (2) (see also Fig. G).

Push in the sprocket guard quick tightener firmly against spring pressure, and slowly turn it **counter-clockwise** until you feel it engage. Keep pushing in, and turn it as far as possible counter-clockwise.

Release the sprocket guard quick tightener (remove pressure) and now turn it **clockwise** to its original position. Repeat this procedure until the sprocket guard (3) is unscrewed.

Pull the sprocket guard (3) up slightly, pull out of the rear fittings (4) and remove.

**B**

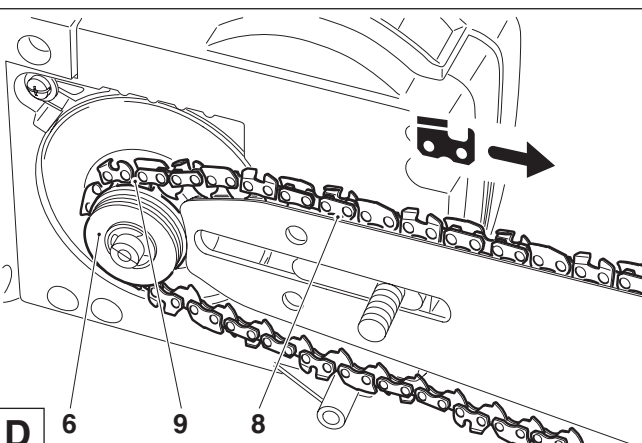
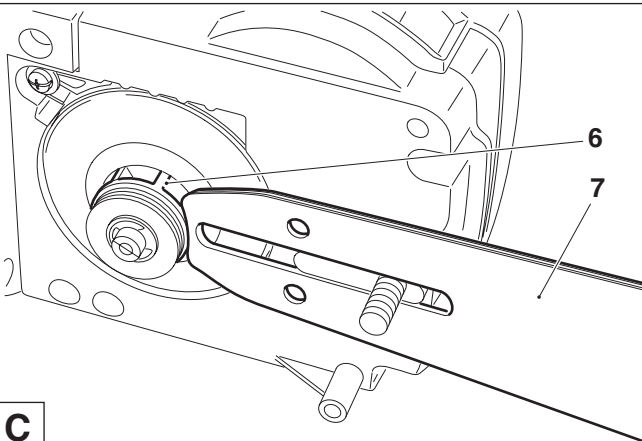
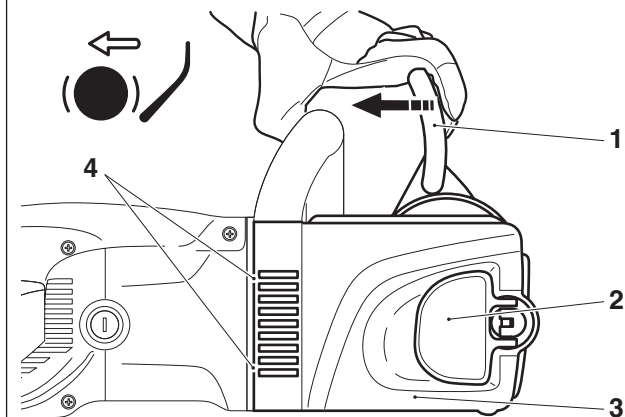
Position the guide bar (7) and push it against the sprocket (6).

**C**

Place the saw chain (9) on the sprocket (6). Using your right hand, guide the saw chain into the upper guide groove (8) of the guide bar.

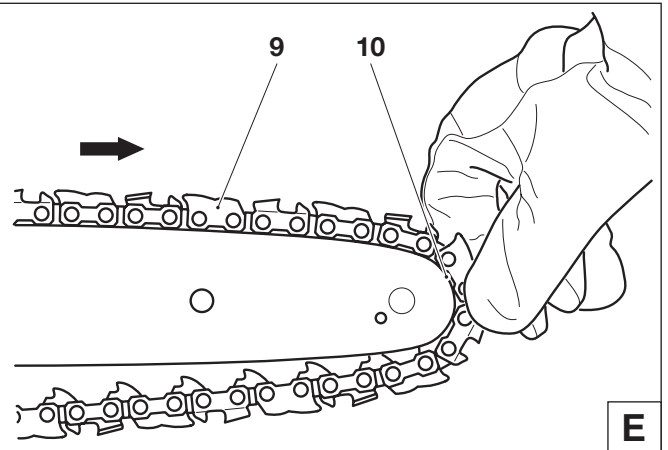
**The cutting edges of the saw chain on the top of the guide bar must point in the direction of the arrow!**

**D**





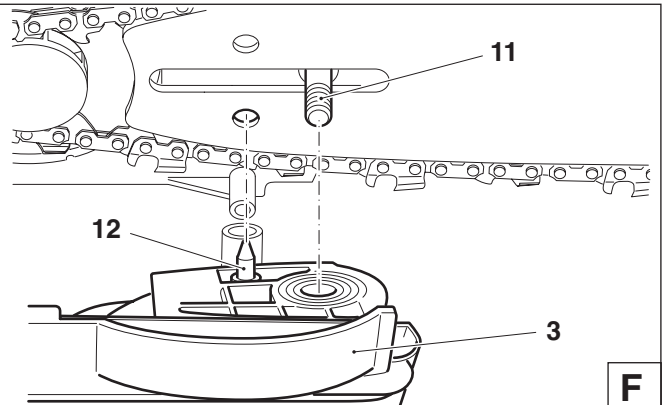
Using your left hand, lightly press the guide bar against the holder on the housing and guide the saw chain (9) around the nose sprocket (10) on the guide bar. While doing this, pull the saw chain slightly in the direction shown by the arrow.



E

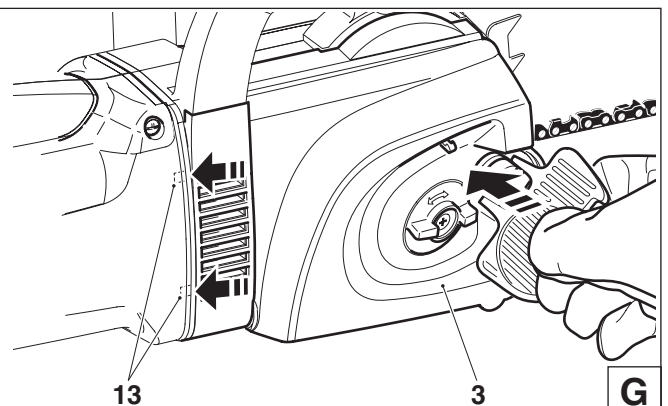
Line up the hole in the sprocket guard with the threaded pin (11).

Turn the chain tensioning screw (H/14) to align the chain tensioning pin (12) with the hole in the guide bar.



F

First press the sprocket guard (3) into the mounting (13) and then push it onto the threaded pin (F/11).



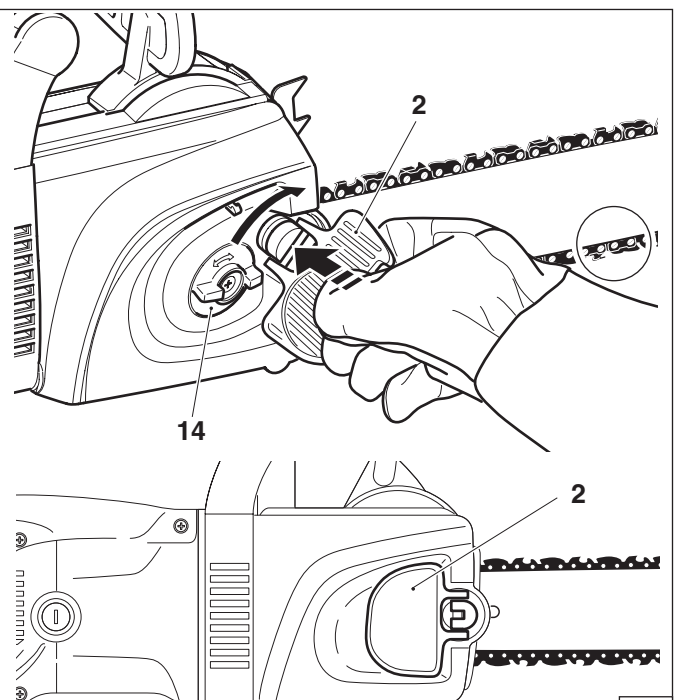
G

### Tightening the saw chain

Firmly push in and simultaneously turn the sprocket guard quick tightener (2, clockwise) in order to screw on the sprocket guard (3), but do not tighten it yet.

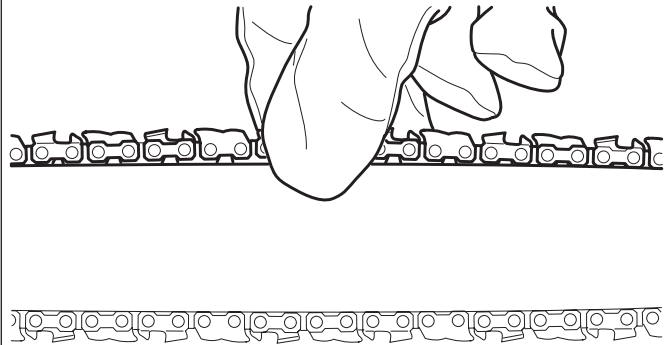
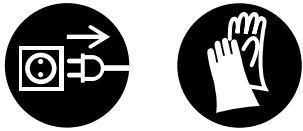
Lift the tip of the guide bar slightly and turn the chain tensioner (14) clockwise until the saw chain engages in the guide groove on the lower side of the guide bar (see the circle).

Push in the sprocket guard quick tightener (2) again and tighten by turning clockwise.



H

Release the sprocket guard quick tightener (2) (remove pressure) until it turns freely, then fold it in as shown in the illustration.



### Checking the chain tension

The chain has the proper tension when it lies against the bottom edge of the guide bar and can be easily pulled by hand about 2-4 mm (about 1/8") up from the guide bar.

Check the chain tension frequently - new chains tend to get longer during use!

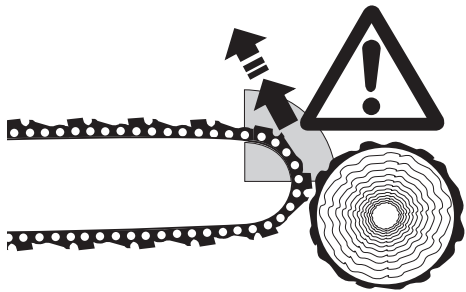
When checking the chain tension the motor must be **switched off** and the power supply plug **pulled out**. **If the chain is too loose:** Loosen the sprocket guard quick tightener by about a quarter turn. Tighten the chain as described under "Tightening the saw chain."

#### HINT:

Use 2 or 3 saw chains alternately for even wear of the chains, sprocket and guide bar running surfaces.

In order to guarantee a uniform wear of the groove in the bar the bar should be turned over whenever replacing the chain.

I



### Chain brake

The electric chain saw comes with a chain brake as standard equipment. Kickback occurs due to contact of the guide bar tip with wood (see SAFETY PRECAUTIONS, page 5).

### Run-out brake

The electric chain saw come with a run-out brake as standard equipment.

The run-out brake ensures that the chain comes to a stop immediately when the ON/OFF switch is released, thus preventing the chain from continuing to run and presenting a hazard.

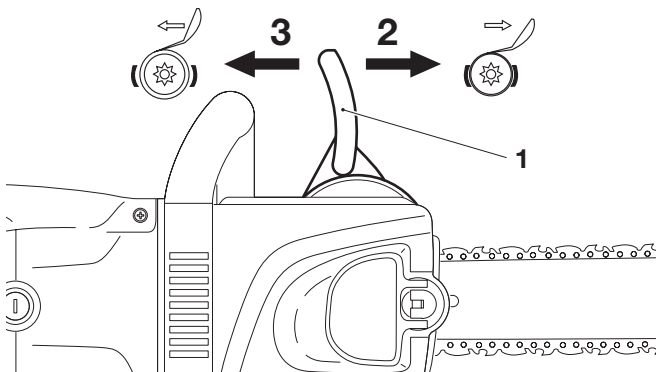
Testing of the run-out brake is described on page 14.

### Chain and run-out brake maintenance

The brake systems are very important safety features, and like any other part they are subject to a certain amount of wear. Regular inspection and maintenance is important for your personal safety, and can be properly performed only by a DOLMAR service center.

**DOLMAR** SERVICE

J



### Engaging the chain brake (braking)

If the kickback is strong enough the sudden acceleration of the guide bar combined with the inertia of the hand guard (1) will **automatically** actuate the chain brake.

To engage the chain brake **manually**, simply push the hand guard (1) forward (towards the tip of the saw) with your left hand (arrow 2).

### Releasing the chain brake

Pull the hand guard (1) towards you (arrow 3) until you feel it catch. The brake is now released.

#### Note:

When the chain brake is actuated the power supply to the motor will be cut off. Testing of the chain brake is described on page 14.

K

## Saw chain oil



Use a special oil with adhesive addition for lubricating the saw chain and bar. The adhesive addition prevents that the oil is centrifuged too fast from the sawing device.

Do not use mineral oils. In order to protect the environment the use of biologically decomposeable oil is prescribed.

The saw chain oil sold by DOLMAR, called BIOTOP, is made of special vegetable oils and is biologically decomposeable to 100%. BIOTOP has been granted the "blue angel" for being particularly favourable to the environment (RAL UZ 48).



BIOTOP oil is available in the following packing sizes to suit your individual requirements:

1 liter      order number 980 008 210

5 liters     order number 980 008 211

Biologically decomposeable oil is stable only for a limited period of time. It should be consumed within 2 years from the date of manufacture (printed on the container).

A

### Important note on bio-degradable chain oils

If you are not planning to use the saw again for an extended period of time, empty the oil tank and put in a small amount of regular **engine oil** (SAE 30), and then run the saw for a time. This is necessary to flush out all remaining bio-degradable oil from the oil tank, oil-feed system, chain and guide bar, as many such oils tend to leave sticky residues over time, which can cause damage to the oil pump or other parts.

The next time you use the saw, fill the tank with BIOTOP chain oil again. In case of damage caused by using waste oil or inappropriate chain oil the product guarantee will be null and void.

Your salesman will inform you about the use of chain oil.

### NEVER USE WASTE OIL

Waste oil is very dangerous for the environment.

Waste oil contains high amounts of carcinogenic substances.

The residues in the waste oil result in a high degree of wear and tear at the oil pump and the sawing device.

In the case of damage caused by using waste oil or inappropriate saw chain oil the product guarantee will be null and void.

Your salesman will inform you about the use of saw chain oil.



### AVOID SKIN AND EYE CONTACTS

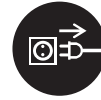
Mineral oil products as well as oil degrease the skin. If your skin repeatedly comes in contact with these substances for a longer period of time, it will desiccate. Various skin diseases may result. In addition, allergic reactions are known.

Eyes can be irritated by contact with oil. If oil gets into your eyes, immediately wash them with clear water. If your eyes are still irritated, go to see a doctor.



B

## Refilling the oil tank



**Only if the motor is switched off and the power supply plug is pulled out!**

- Thoroughly clean the oil tank around the cap to prevent dirt from entering the tank.
- Unscrew the tank cap (1) and fill in chain oil until it is on a level with the bottom edge of the filler socket.
- Tightly screw on the tank cap.
- Thoroughly remove any oil that has overflowed.

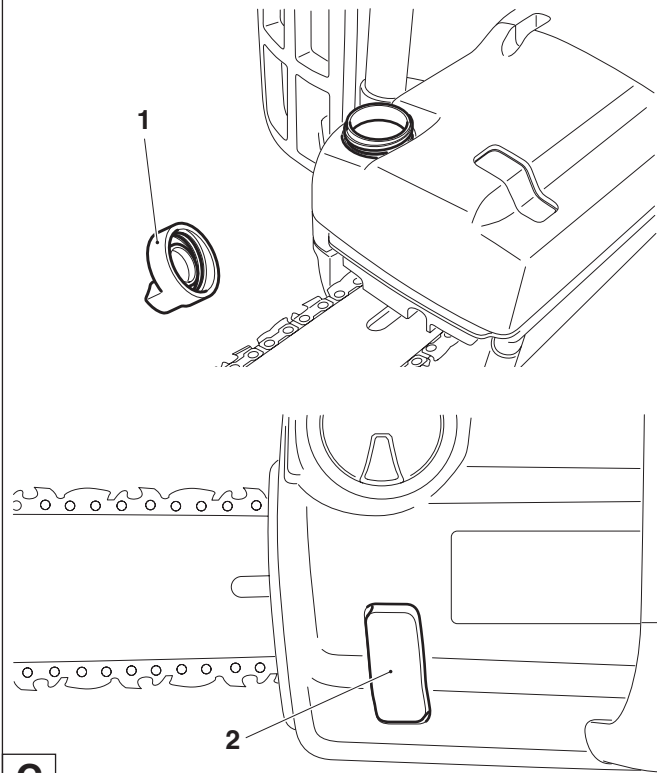
### Important!

Before operating the saw for the first time, the oil feed system must be completely filled, until the chain oil lubricates the chain and guide bar.

This procedure can take up to two minutes.

- The oil level can be controlled in the sight glass (2).

In order to ensure sufficient lubrication of the saw chain there must always be enough oil in the tank.



**C**

## Lubricating the saw chain

**Only if the motor is switched off and the power supply plug is pulled out!**

To guarantee a troublefree operation of the oil pump the oil guide groove (3) as well as the oil inlet bore in the guide bar (4) must be cleaned in regular intervals.

### Note:

After the saw has been turned off it is normal for residual chain oil to drip from the oil feed system, the guide bar and the chain for a time. This does not constitute a defect!

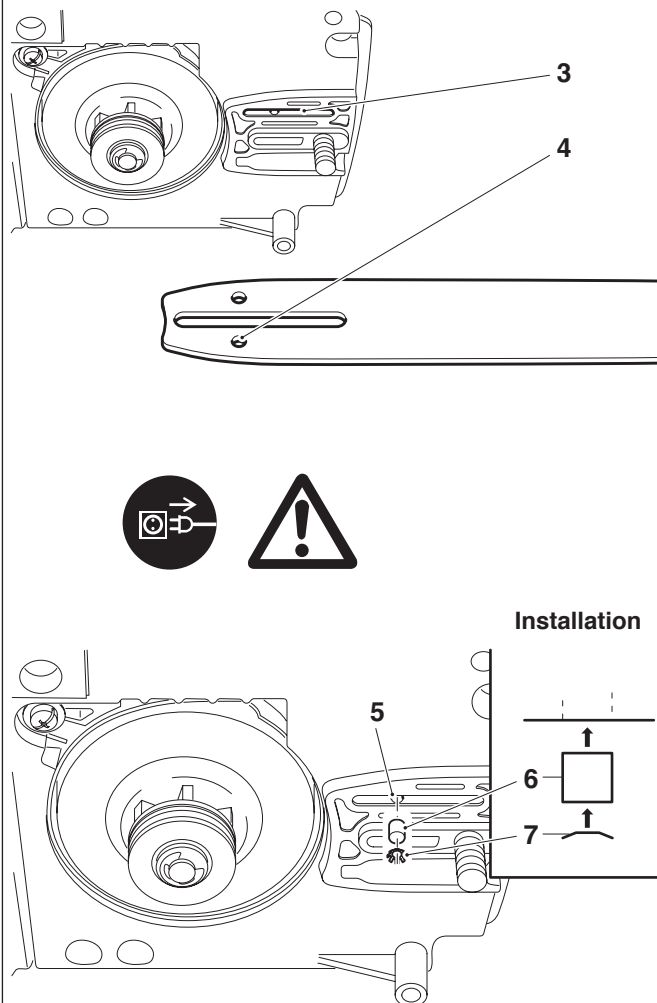
Place the saw on a suitable surface.

### Chain oil filter

Dirt particles that accumulate on the chain oil filter will impede the flow of chain oil. This will eventually lead to poor lubrication, and faster wear to the chain and guide bar.

If the chain is no longer getting enough lubrication, the chain oil filter (6) will need to be cleaned or replaced.

- Remove the sprocket guard, chain, and guide bar (see PUTTING INTO OPERATION).
- Carefully clean the area around the oil outlet hole (5).
- Using a small screwdriver, carefully remove the serrated washer (7) and chain oil filter (6).
- Clean the chain oil filter. If it is severely contaminated, replace it.
- Plug in the chain saw and let it run until the chain oil comes out the oil outlet hole.
- **Switch off the saw and unplug the power cord.**
- Clean the area around the oil outlet hole (5) with a cloth.
- Insert the chain oil filter (6) and serrated washer (7) as shown in **Installation**. When the oil filter cannot be secured with the serrated washer, replace the serrated washer with a new one.
- Put the guide bar, chain, and sprocket guard back on (see PUTTING INTO OPERATION).



**D**

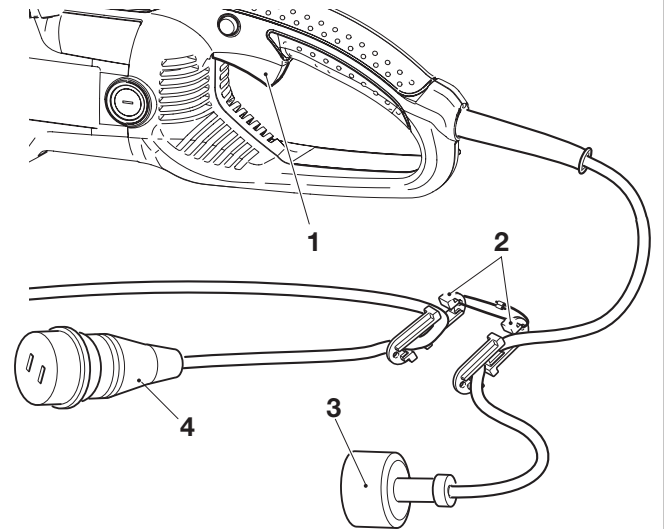
## Plug in the saw

### CAREFUL!

Before connecting the saw to a source of electricity, always make sure to check that when the ON/OFF switch (1) has been pressed in and released, it automatically comes back out to the "off" position. If it does not, do not under any circumstances connect the saw to a power source - do not plug it in. Take the saw to a DOLMAR service center before doing any work with it.

Clip the extension cord and the saw's power cord into the cord grip (2).

Plug the saw plug (3) into the socket of the extension cable (4).



A

## Using the chain saw

Always be sure of you footing and hold the chain saw firmly with both hands while the motor is running.

### Switching on the motor

- Plug in the saw (see above).
- **When switching on the electric chain saw always hold it with both hands.** Take the back handle with the right hand and the tubular handle with the left hand. Hold the handles tightly with your thumbs facing your fingers. The bar and chain must not be in contact with any object.
- First depress the locking button (5) and then the power switch (1). Then release the locking button (5).
- **Attention: The chain starts running immediately.** Keep the power switch depressed as long as the motor is to run.



### CAUTION:

Never lock the power switch in the ON position.

### Switching off the motor

- Release the power switch (1).

### NOTE:

When the chain brake is actuated the power supply to the motor will be cut off.

If the saw does not start when the ON/OFF switch (1) is actuated, it will be necessary to release the chain brake.

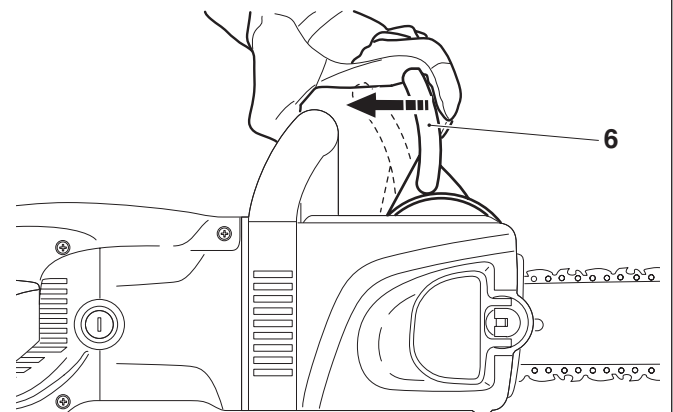
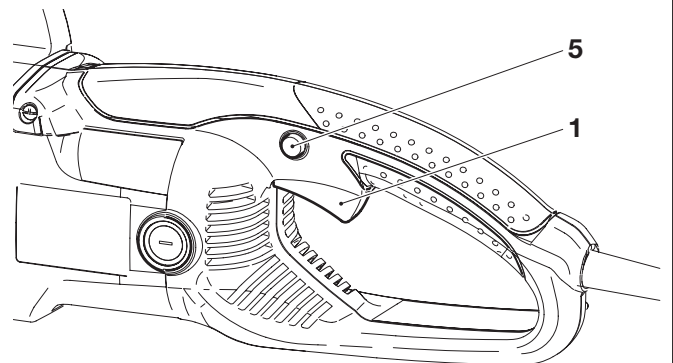
- Pull the hand guard (6) firmly in the direction of the arrow until you feel it catch.

### Important:

These models are equipped with a starting current limiter. This electronic component prevents too abrupt starting of the electric motor.

**Excess current cutoff:** When the electrical current to the saw exceeds the permissible level, the power supply to the motor is automatically cut off. This prevents overheating of the motor and resulting damage. To start the saw up again, release the ON/OFF switch and press it again.

**CAUTION:** Do not use the saw if the current cutoff repeatedly switches off the saw. Consult a DOLMAR service center.



B



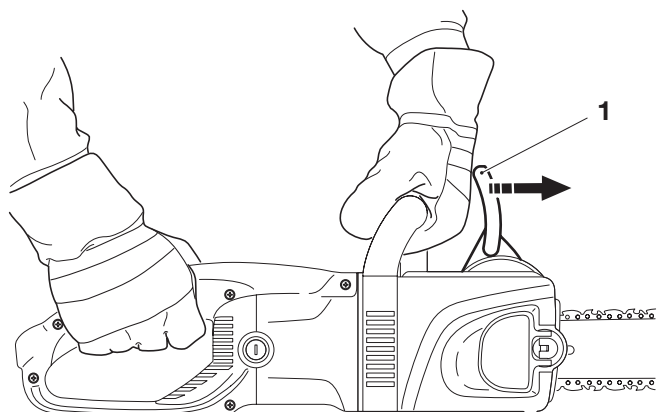
## Checking the chain brake



**Do not work with the chain saw without first checking the chain brake!**

- Grasp the tubular handle firmly with one hand and hold the grip with the other.
- Start the motor as described (make sure you have a good footing, and place the chain saw on the ground in such a way that the guide bar is free of contact).
- Switch on the motor and press the hand guard (1) in the direction of the arrow with the back of your hand until the chain brake engages. The chain should stop immediately.
- Switch the motor off immediately and release the chain brake.

**Important: If the saw chain does not stop instantly when you carry out this test, do not under any circumstances use the saw! Take the chain saw to a DOLMAR service center.**



C

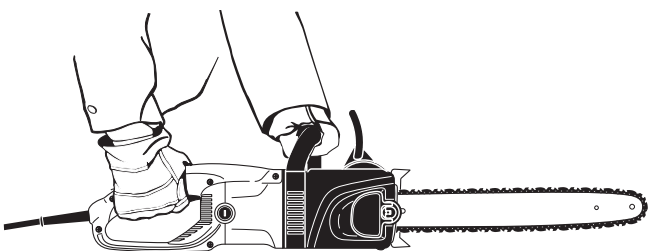
## Testing the run-out brake



**Do not work with the saw without first testing the run-out brake!**

- Grasp the tubular handle firmly with one hand and hold the grip with the other.
- Start the motor as described (make sure you have a good footing, and place the chain saw on the ground in such a way that the guide bar is free of contact).
- Switch the motor on and then back off. The chain should come to a full stop within two second of switching off the motor.

**Important: If the saw chain does not stop within two second when you carry out this test, do not use the saw! Inspect the carbon brushes (see page 19).**



D

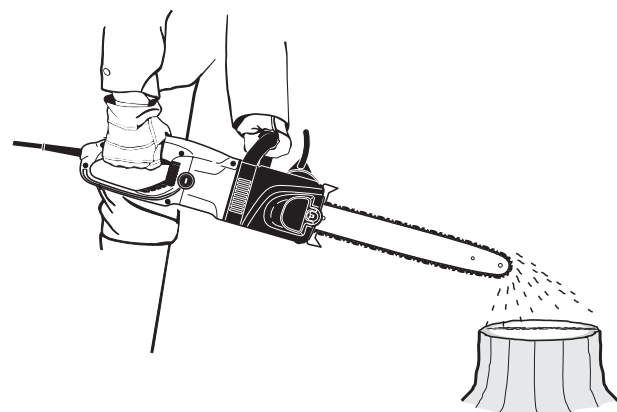
## Checking the chain lubrication



Never saw when a sufficient chain lubrication is not guaranteed. Otherwise the life of the sawing device will be reduced. Before starting work check the oil level in the tank and the oil feeding. Check the fed oil quantity by following the instructions below:

- Start the electric chain saw.
- Hold the running chain saw approx. 15 cm above a trunk or the ground (use an appropriate surface).

If the lubrication is sufficient, you will see a light oiltrace because oil will be centrifuged from the chain saw. Pay attention to the direction the wind is blowing and avoid unnecessary exposure to the oil spray!



E

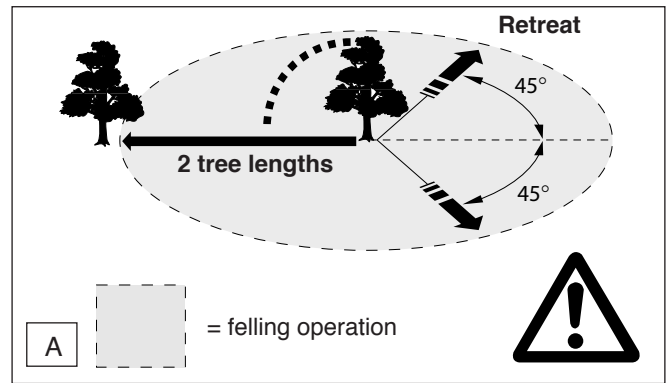
### Felling a tree

When bucking and felling operations are being performed by two or more persons, at the same time, the felling operation should be separated from the bucking operation by a distance of at least twice the height of the tree being felled. Trees should not be felled in a manner that would endanger any person, strike any utility line or cause any property damage. If the tree does make contact with any utility line, the utility company should be notified immediately.

The chain saw operator should keep on the uphill side of the terrain as the tree is likely to roll or slide downhill after it is felled.

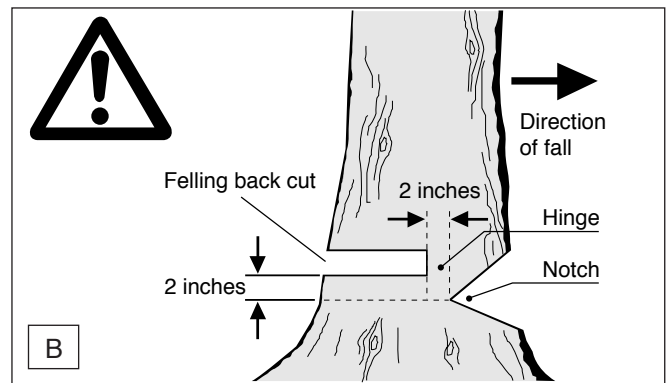
A retreat path should be planned and cleared as necessary before cuts are started. The retreat path should extend back and diagonally to the rear of the expected line of fall as shown in Fig. A. The next working place is at least 2 tree lengths away.

Before felling is started, consider the natural lean of the tree, the location of larger branches and the wind direction to judge which way the tree will fall. Remove dirt, stones, loose bark, nails, staples, and wire from the tree where felling cuts are to be made.



### Notching undercut

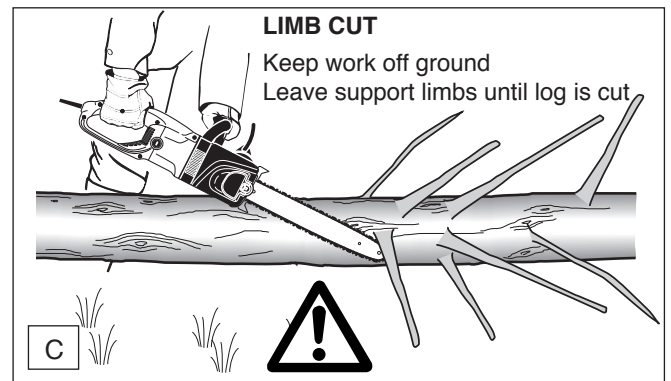
Make the notch 1/3 the diameter of the tree, perpendicular to the direction of fall as shown in Fig. B. Make the lower horizontal notching cut first. This will help to avoid pinching of either the saw chain or the guide bar when the second notch is being made.



### Felling back cut

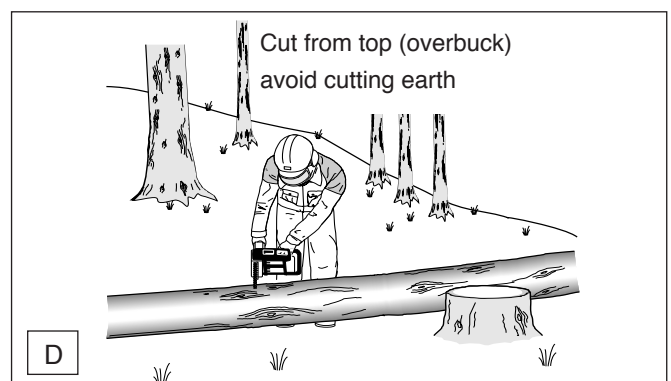
Make the felling back cut at least 2 inches (50.8 mm) higher than the horizontal notching cut as shown in Fig. B. Keep the felling back cut parallel to the horizontal notching cut. Make the felling back cut so enough wood is left to act as a hinge. The hinge wood keeps the tree from twisting and falling in the wrong direction. Do not cut through the hinge.

As the felling cut gets close to the hinge the tree should begin to fall. If there is any chance that the tree may not fall in the desired direction or it may rock back and bind the saw chain, stop cutting before the felling back cut is complete and use wedges of wood, plastic or aluminum to open the cut and drop the tree along the desired line of fall. When the tree begins to fall remove the chain saw from the cut, stop the motor, put the chain saw down, then use the retreat path planned. Be alert for overhead limbs falling and watch your footing.



### Limbing a tree

Limbing is removing the branches from a fallen tree. When limbing, leave larger lower limbs to support the log off the ground. Remove the small limbs in one cut as shown in Fig. C. Branches under tension should be cut from the bottom up to avoid binding the chain saw.



## Bucking a log

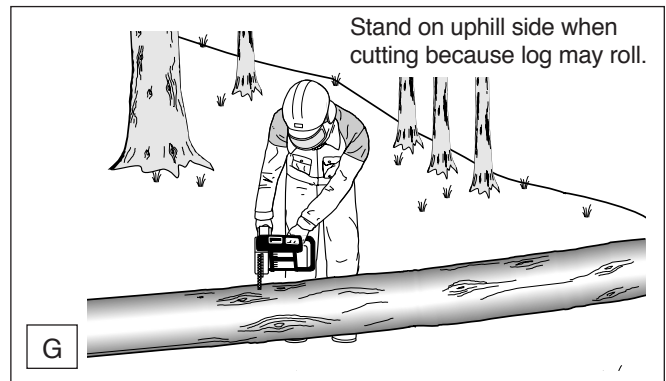
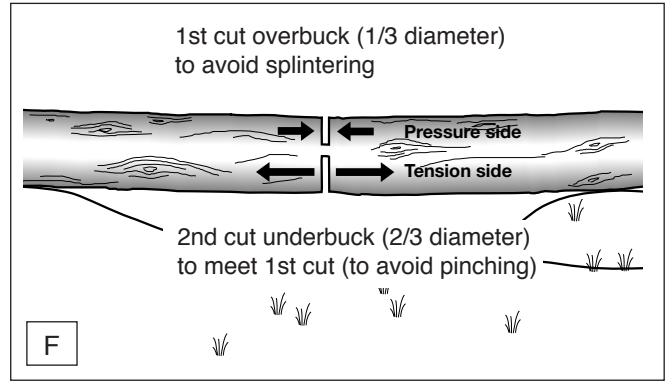
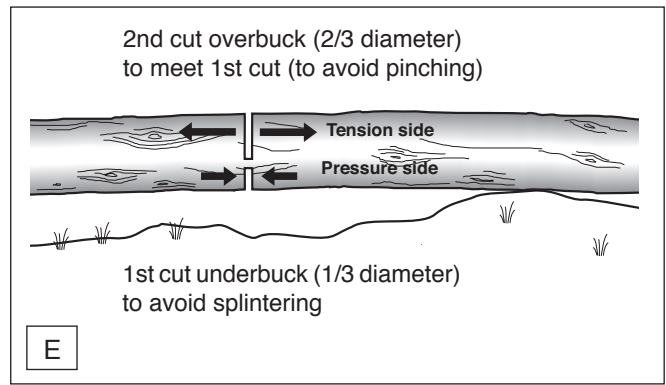
Bucking is cutting a log into lengths. It is important to make sure your footing is firm and your weight is evenly distributed on both feet. When possible, the log should be raised and supported by the use of limbs, logs or chocks. Follow the simple directions for easy cutting.

When the log is supported along its entire length as shown in Fig. D, it is cut from the top (overbuck).

When the log is supported on one end, as shown in Fig. E, cut 1/3 the diameter from the underside (underbuck). Then make the finished cut by overbucking to meet the first cut.

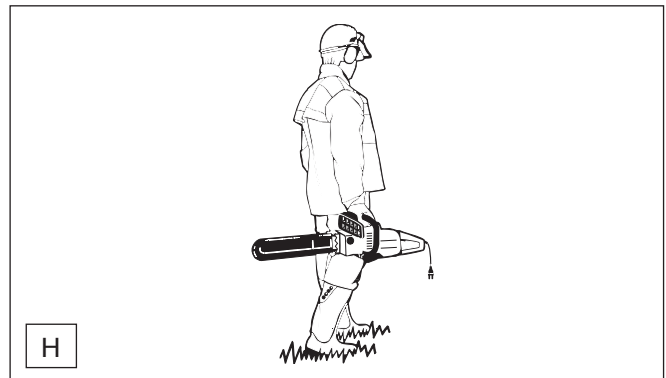
When the log is supported on both ends, as shown in Fig. F, cut 1/3 of that diameter from the top overbuck. Then make the finished cut by underbucking the lower 2/3 to meet the first cut.

When bucking on a slope, always stand on the uphill side of the log, as shown in Fig. G. When "cutting through", to maintain complete control, release the cutting pressure near the end of the cut without relaxing your grip on the chain saw handles. Don't let the chain contact the ground. After completing the cut, wait for the saw chain to stop before you move the chain saw. Always stop the motor before moving from tree to tree.



## Carrying tool

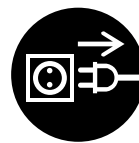
Carry the tool by the front handle with the tool turned off, finger off the switch. Use the chain protection cover to cover the guide bar and the saw chain.



## MAINTENANCE

### Sharpening the saw chain

When working on the saw chain you must always pull out the power supply plug and wear protective gloves.



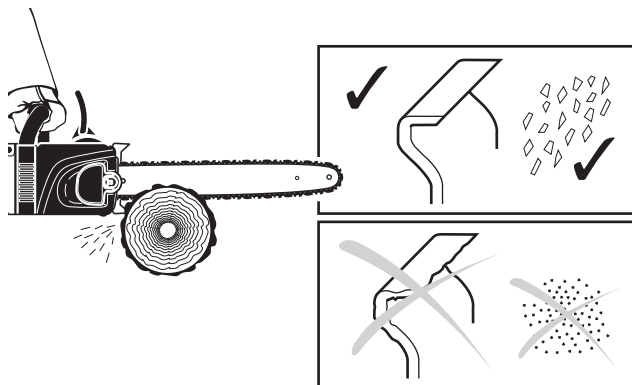
#### The chain needs sharpening when:

- the sawdust from sawing humid wood looks like wood flour.
- the saw chain penetrates the wood only under great pressure.
- the cutting edge is visibly damaged.
- the sawing device is pulled to the left or the right during the sawing operation. This is caused by uneven sharpening of the chain or by damage to one side of it.

**Important: Sharpen frequently, but without removing too much metal!**

Generally, 2-3 strokes of the file will be enough.

Have the chain resharpened in a service center when you have sharpened it yourself several times.



#### Proper sharpening:

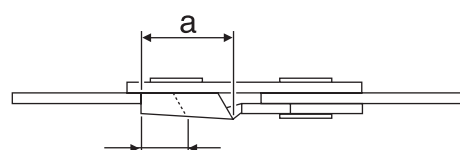
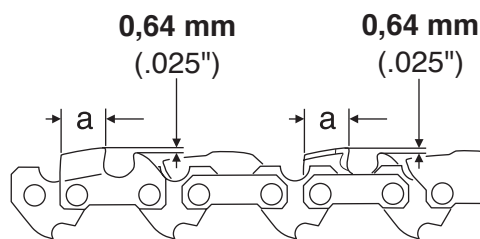
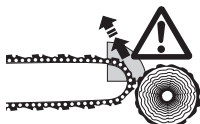
##### CAUTION:

Use only chains and guide bars designed for this saw (see the Extract from the spare-parts list)!

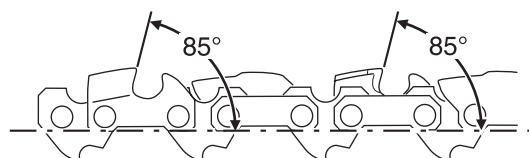
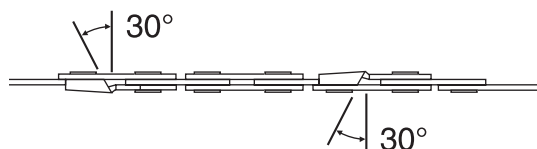
- All cutters must be of the same length (dimension a). Cutters with different lengths result in rough running of the chain and can cause cracks in the chain.
- Minimum cutter length is 3 mm (0.11"). Do not resharpen the chain when the minimum cutter length has been reached; at this point, the chain must be replaced (see the Extract from the spare-parts list and "Replacing the chain").
- The depth of the cut is determined by the difference in height between the depth limiter (round nose) and the cutting edge.
- The best results are obtained with a depth-limiter depth of 0.64 mm (.025").

##### CAUTION:

Excessive depth increases the risk of kickback!



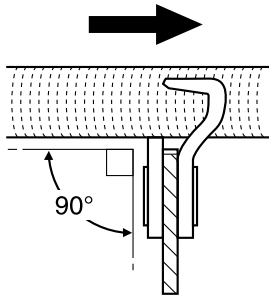
min.  
3 mm (0.11")



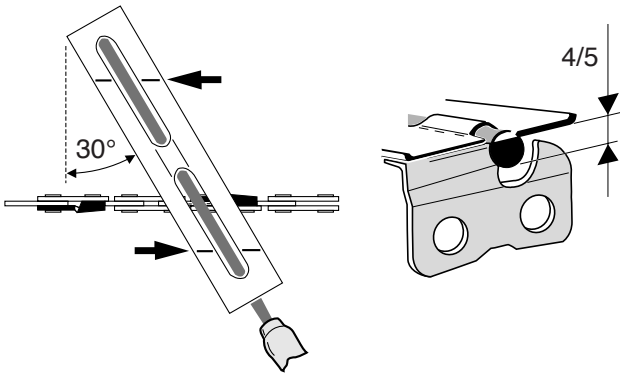
- All cutters must be sharpened to the same angle, 30°. Different angles result in a roughly, irregularly running chain, increase wear and tear and cause chain beakage.
- The 85° front rake of the cutter results from the cut depth of the round file. If the proper file is used in the right manner, the correct front rake will be obtained automatically.

A

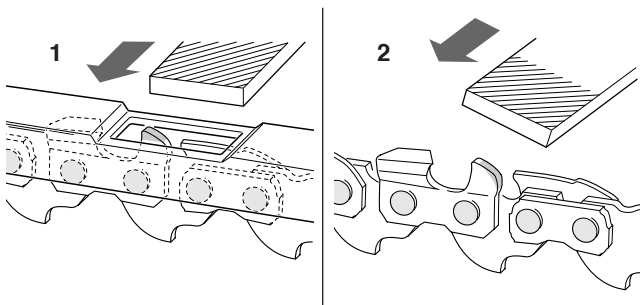
## Files and how to work with them



- Sharpen using a special file holder with a saw chain round file dia. 4.0 mm. Normal round files are not appropriate for this work. See "Accessories" for the order number.
- The file should cut only when pushed forwards (arrow). Lift the file when leading it backwards.
- First sharpen the shortest cutter. The length of this cutter is then the standard for all other cutters of the chain.
- Always guide the file as in fig. shown



- The file holder makes file guidance easier. It is marked for the correct 30° sharpening angle (keep the marks parallel with the chain when filing, see illustration) and limits the cut depth to the correct 4/5 of the file diameter. See "Accessories" for the order number.



- After having sharpened the chain, the height of the depth limiter must be checked by means of a chain gauge. See "Accessories" for the order number.
- Correct even the smallest excess height with a special flat file (1). See "Accessories" for the order number.
- Round off the front of the depth limiter (2).

**B**



## Cleaning the guide bar, lubricating the sprocket nose

**CAUTION: Protective gloves must be worn.**

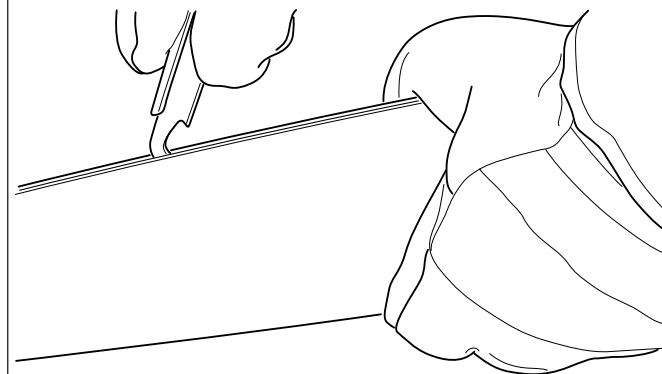
Regularly inspect the bearing surfaces of the guide bar for damage, and clean them with a suitable tool.

If the saw is used intensively it will be necessary to lubricate the return sprocket bearings regularly (once a week). To do this, first **thoroughly** clean the 2 mm hole at the tip of the guide bar, and then press in a small amount of multi-purpose grease.

Multi-purpose grease and grease guns are available as accessories.

Multi-purpose grease (order no. 944 360 000)  
Grease gun (order no. 944 350 000)

**C**





## Replacing the saw chain

### CAUTION:

Use only chains and guide bars designed for this saw (see the Extract from the spare parts list)!

Check the sprocket (1) before mounting a new chain.

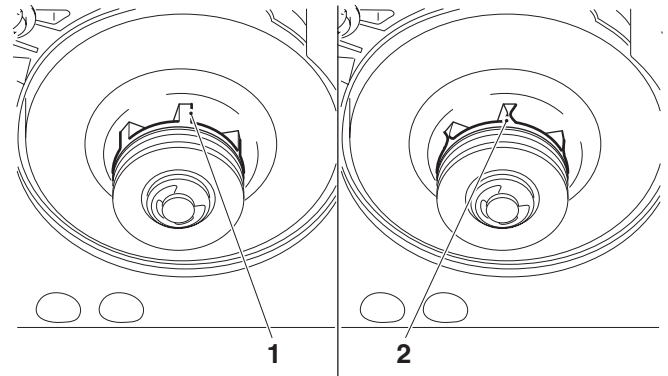
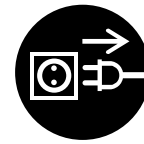
### CAUTION:

Worn out sprockets (2) may damage the new chain and must therefore be replaced.

Do not attempt to replace the sprocket yourself. Sprocket replacement requires special training and tools and must be done at a DOLMAR service center.



## SERVICE



D

## Inspecting and replacing the carbon brushes

### Important:

Inspect the carbon brushes at regular intervals!  
A notch on the brush shows the limit of wear.

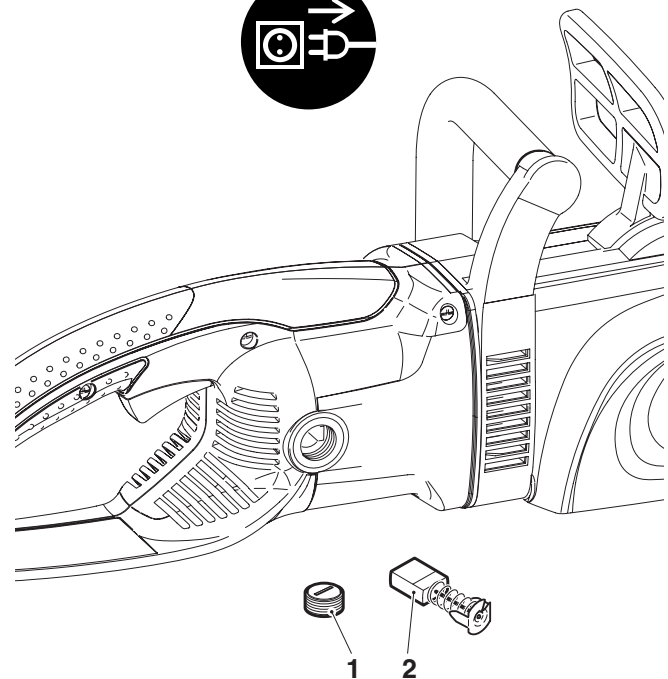
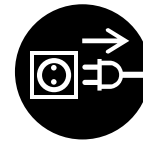
### NOTE:

The carbon brush is very delicate, so be careful not to let it drop. **When taking it out, be sure to note the position it was installed in, since each brush is run in with the rotor.**

- Use a slotted bit screwdriver to unscrew the cover (1), and then pull out the brush (2).
- If the wear limit has not yet been reached, put the brush back in the same position and screw the cover (1) back on.
- Run the saw briefly (about a minute) so the brushes can run in again.

**Important:** Now test the run-out brake (see page 14). If the saw chain does not come to a full stop within two seconds, run the saw again briefly and repeat the test until the brake functions properly.

**NOTE:** After installing new carbon brushes, run the saw about 5 minutes and then check the run-out brake.



E



To maintain product SAFETY and RELIABILITY, repairs, any other maintenance or adjustment should be performed by DOLMAR Authorized or Factory Service Centers, always using DOLMAR replacement parts.

## Trouble shooting

Malfunction	System	Observation	Cause
Chain saw does not work	total	electric motor does not function	no power supply, cable defective chain brake actuated Mains fuse blown
insufficient performance	Carbon brushes	low pulling power	Carbon brushes worn down
no chain lubrication	Oil tank, oil pump	no oil on the saw chain	oil tank empty, oil guide groove dirty
Chain brake	Brake	Saw chain does not stop instantly	Brake band worn down
Run-out brake	Brake	Saw chain continues to run	Carbon brushes worn down

## Instructions for periodic maintenance

To ensure long life, prevent damage and ensure the full functioning of the safety features the following maintenance must be performed regularly. Guarantee claims can be recognized only if this work is performed regularly and properly. Failure to perform the prescribed maintenance work can lead to accidents!

The user of the electric chain saw is not allowed to perform maintenance works which are not described in the instruction manual. All other works must be carried out by a DOLMAR service center.

Page

<b>General work</b>	Electric chain saw Plastic case  Saw chain  Guide bar  Sprocket Chain brake Run-out brake	Regularly clean the outside. Check for cracks and ruptures. In case of damage have it immediately repaired at a service center. Resharpener regularly. Replace in time. Turn over after a certain period of time so that the bearing surfaces are uniformly worn. Replace in time. Have it replaced in time at a service center. Have it inspected regularly at a service center. Have it inspected regularly at a service center.	
<b>Each time before putting the saw into operation</b>	Saw chain  Guide bar Chain lubrication Chain brake Run-out brake Power switch Power supply cable Oil tank cap	Check for damage and sharpness. Check the chain tension. Check for damage, and remove burrs if necessary. Functional check. Functional check. Functional check. Functional check. Functional check. In case of damage have it replaced at a service center. Check for tightness.	17-18 10   14 14 14 13
<b>After each shutdown</b>	Guide bar Chain carrier	Clean the oil inlet bore. Clean, especially the oil guide groove.	12 12
<b>Storage</b>	Chain oil tank Saw chain/guide bar  Electric chain saw	Empty. Demount, clean and lubricate slightly. Clean the guide groove of the guide bar. Store safely in a dry place. After a long storage time, have the electric chain saw checked at a service center (residual oil can become resinic and the valve of the oil pump clogged).	12

## Service, spare parts and guarantee

### Maintenance and repair

The maintenance and repair work of modern electric motors as well as all safety related assemblies require qualified technical training and the availability of a special workshop equipped with special tools and testing devices.

Any work not described in this Instruction Manual must be performed only by a DOLMAR service center.

The DOLMAR service centers are provided with all the necessary equipment and skilled and experienced personnel to work out correct customer solutions and to advise you in all matters accordingly.

Repair attempts by third parties or unauthorised persons void all warranty claims.

### Spare parts

A reliable and continuous operation as well as the safety of your chain saw is also subject to the quality of the spare parts used. Use original DOLMAR spare parts only, marked:



Only original spare parts and accessories guarantee the highest quality in material, dimensions, functioning and safety.

Original spare parts and accessories can be obtained from your local dealer. He will also have the relative spare part lists to determine the required spare part numbers, and will be constantly informed about the latest improvements and also about spare part innovations.

Please, take in mind that in the case that foreign spare parts are used instead of the original DOLMAR spare parts this will automatically invalidate the DOLMAR product guarantee.

### Guarantee

DOLMAR guarantees the highest quality and will therefore reimburse all costs for mending through replacement of damaged parts as a result of material or production faults, which occur within the guarantee time after purchase.

Please, note that in some countries particular guarantee conditions may exist. In case of any doubts, please, contact your salesman who is responsible for the guarantee of the product.

We ask for your understanding that we cannot accept any responsibility for damage caused by:

- Disregard of the instruction manual.
- Non-performance of the required maintenance and cleaning instructions.
- Normal wear and tear.
- Obvious overload due to permanent excess of the upper limits of capacity.
- Use of guide bars and saw chains which have not been approved.
- Use of guide bar and saw chain lengths which have not been approved.
- Use of force, improper use, misuse or accidents.
- Damage caused by overheating due to dirt obstructing the cool air supply at the motor case.
- Use of unsuitable spare parts or parts which are not original DOLMAR parts, as far as they have caused the damage.
- Use of unsuitable or old oil.
- Damage related to conditions arising from lease or rent contracts.
- Works on the chain saw by unskilled persons or performance of inappropriate repairs.

Cleaning, servicing and adjustment works are not covered by the guarantee. All repairs covered by the guarantee are to be performed by a DOLMAR service center.

**Technical data**

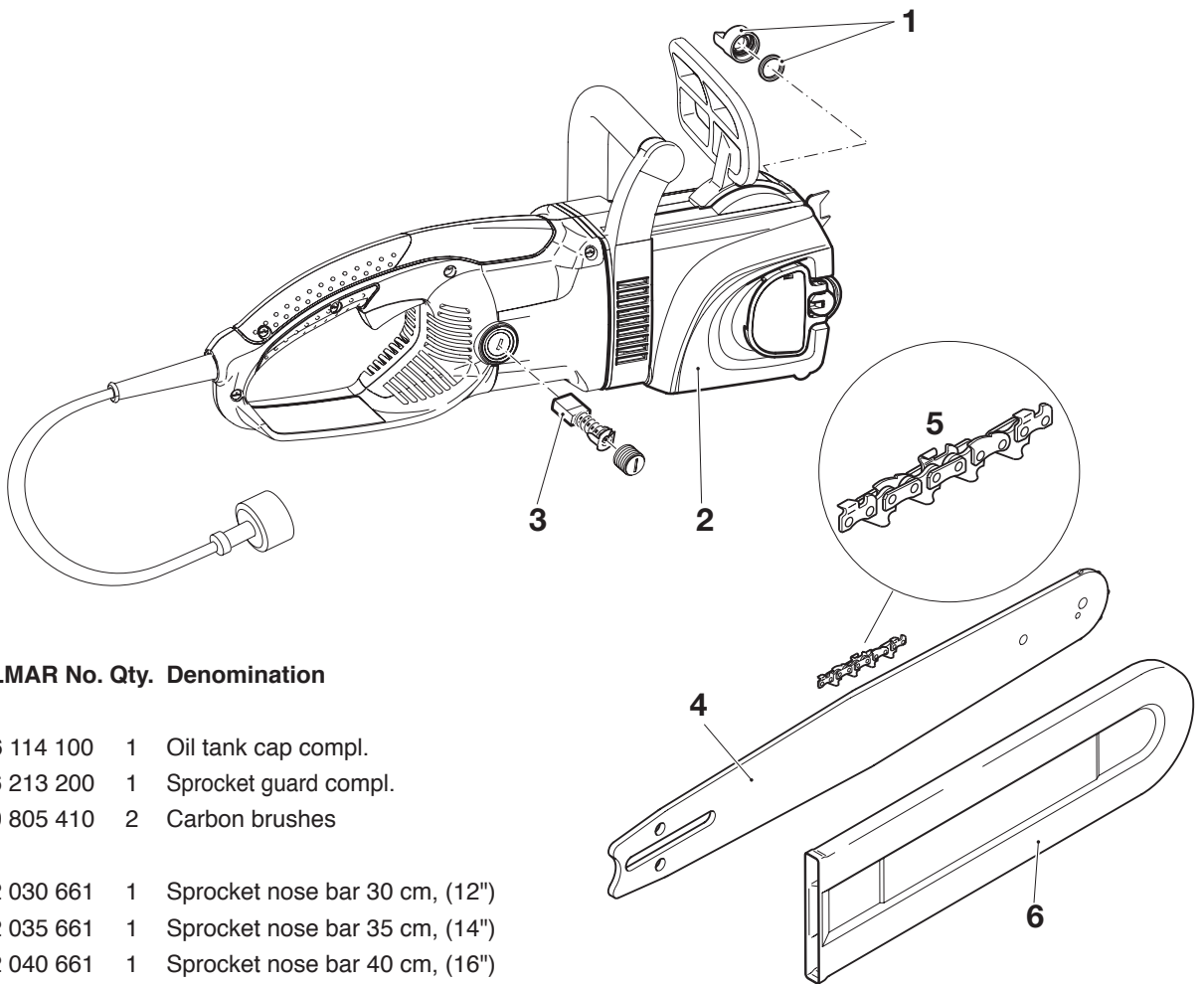
		<b>ES-153 A</b>	<b>ES-163 A</b>	<b>ES-173 A</b>
Chain type		092		
Chain pitch	inch	3/8"		
Length of a cut	inch / cm	12" / 30	14" / 35	16" / 40
Max. chain speed	m/min	2.600 FPM (800m/min)		
Oil tank capacity	floz / ml	4,73 / 140		
Power transmission		direct		
Overload protection		electrical		
Chain brake		manual		
Run-out brake		electrical		
Weight (without bar/chain)	lbs / kg	9,7 / 4,4		

## Extract from the spare parts list

Use original DOLMAR spare parts only. For performance of repairs and for replacement of other components your DOLMAR service center should be consulted.

ES-153 A, 163 A, 173 A

**DOLMAR**

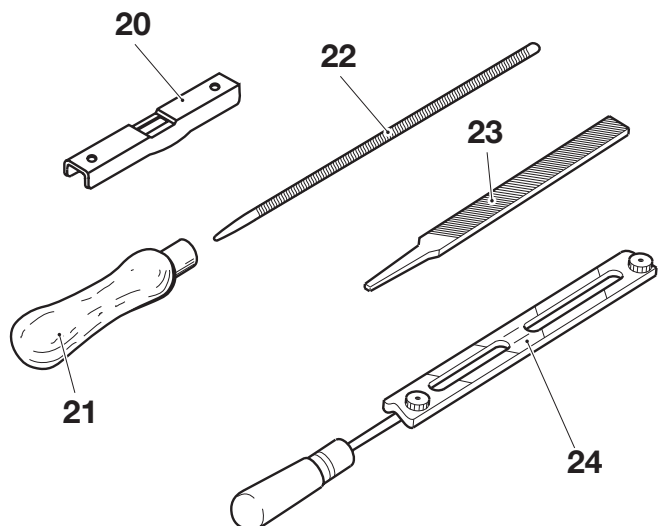


### Pos. DOLMAR No. Qty. Denomination

1	226 114 100	1	Oil tank cap compl.
2	226 213 200	1	Sprocket guard compl.
3	970 805 410	2	Carbon brushes
4	412 030 661	1	Sprocket nose bar 30 cm, (12")
4	412 035 661	1	Sprocket nose bar 35 cm, (14")
4	412 040 661	1	Sprocket nose bar 40 cm, (16")
5	528 092 046	1	Saw chain 3/8", 30 cm, (12")
5	528 092 052	1	Saw chain 3/8", 35 cm, (14")
5	528 092 056	1	Saw chain 3/8", 40 cm, (16")
6	952 010 130	1	Chain protection cover (30-35 cm, 12"-14")
6	952 010 140	1	Chain protection cover (40 cm, 16")
-	226 211 050	1	Chain oil filter (felt)
-	226 211 040	1	Lock washer (clamping ring)

### Accessories (not included in the delivery inventory)

20	953 100 090	1	Chain gauge 3/8"
21	953 004 010	1	File handle
22	953 003 090	1	Round file $\varnothing$ 4 mm
23	953 003 060	1	Flat file
24	953 030 010	1	File holder compl. 3/8"





## Nous vous remercions pour votre confiance!

Nous vous félicitons d'avoir choisi la nouvelle tronçonneuse électrique DOLMAR et nous sommes convaincus que cet outil moderne satisfera à vos exigences.

Les tronçonneuses électriques DOLMAR se caractérisent de moteurs robustes et puissants ainsi que d'une grande vitesse de chaîne garantissant ainsi une performance de tronçonnage excellente. Nos tronçonneuses électriques disposent d'un système de sécurité ample correspondant aux normes actuelles de la technique, elles sont légères, facilement maniables et prêtes à être utilisées à tout moment partout où un raccordement électrique est disponible.

Afin de toujours garantir un fonctionnement et une performance optimaux de votre nouvelle tronçonneuse électrique et afin d'assurer votre sécurité personnelle, nous vous prions de bien vouloir tenir compte du suivant:



**Avant la première mise en marche veuillez lire attentivement les instructions d'emploi et respecter surtout les directives de sécurité! La non-observation de ces instructions risque d'entraîner des blessures mortelles!**

**Cette tronçonneuse électrique est classifiée par CSA comme scie de classe 2 C. Elle est destinée à un usage occasionnel par les propriétaires de maisons, fermiers et campeurs et pour des utilisations générales telles que l'abattage, l'émondage et la coupe de bois de chauffage. Elle n'est pas destinée à une utilisation prolongée. Les durées d'utilisation prolongées peuvent causer des problèmes de circulation aux mains de l'utilisateur en raison des vibrations. Pour tout usage, il est adéquat d'utiliser une tronçonneuse équipée d'une fonction anti-vibration.**

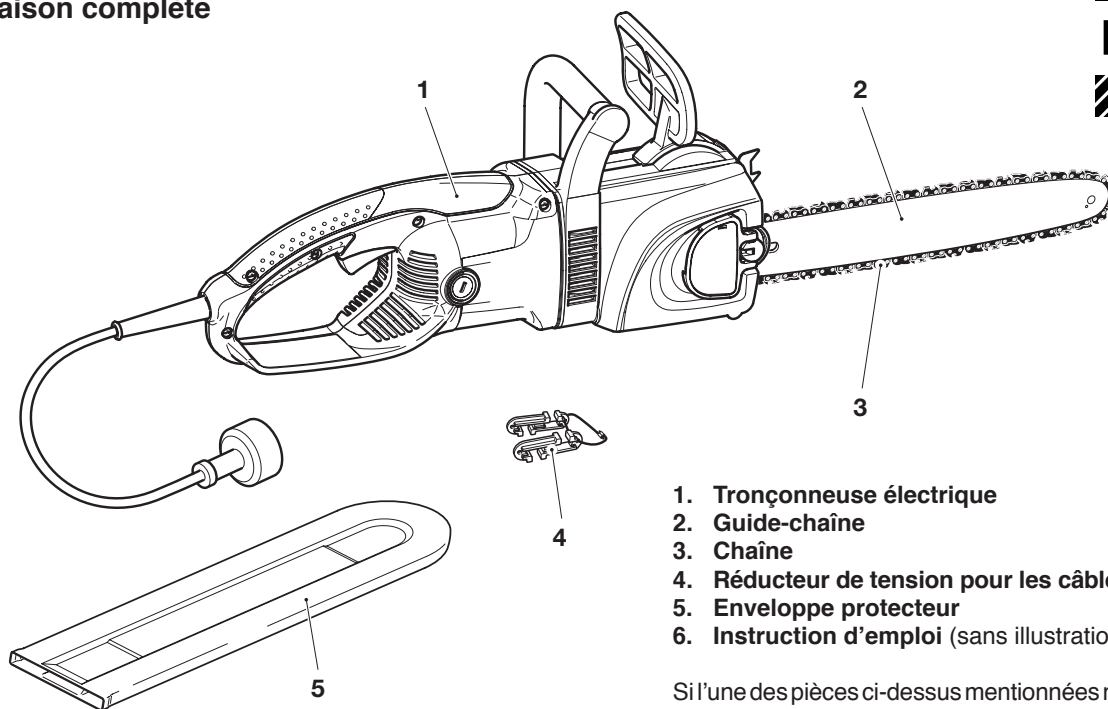
Table de matières	Page
<b>Emballage</b> .....	24
<b>Livraison complète</b> .....	25
<b>Symboles</b> .....	25
<b>INSTRUCTIONS DE SÉCURITÉ</b> .....	26-28
Utilisation du cordon prolongateur .....	28
<b>Désignation des pièces</b> .....	29
<b>MISE EN ROUTE</b>	
Montage du guide-chaîne et de la chaîne .....	30-31
Tendre la chaîne de sciage .....	31
Contrôle de la tension de la chaîne .....	32
Frein de chaîne .....	32
Huile de chaîne .....	33
Remplir le réservoir d'huile .....	34
Lubrification de la chaîne .....	34
Raccorder la scie électrique au secteur .....	35
Mettre le moteur en marche.....	35
Contrôle de la frein de chaîne.....	36
Contrôler le frein de ralentissement.....	36
Vérifier la lubrification de la chaîne.....	36
<b>Abattage d'un arbre</b> .....	37-38
<b>TRAVAUX DE MAINTENANCE</b>	
Affûter la chaîne.....	39-40
Nettoyer le guide-chaîne / lubrifier l'étoile de renvoi .....	40
Nouvelle chaîne de sciage .....	41
Remplacer les balais de charbon .....	41
<b>Recherche de pannes</b> .....	42
<b>Instructions d'entretien et de maintenance périodiques</b> .....	42
<b>Service après vente de l'atelier, pièces de rechange, garantie</b> .....	43
<b>Caractéristiques techniques</b> .....	44
<b>Extrait de la liste des pièces de rechange</b> .....	45
Accessoires .....	45

## Emballage

Votre tronçonneuse électrique DOLMAR est emballée dans une caisse en carton afin de la protéger contre des endommagements éventuels pendant le transport.

Les caisses en carton sont des matières premières. Ainsi elles peuvent être recyclées ou réintroduites dans le cycle des matières premières (recyclage de vieux papiers).





1. Tronçonneuse électrique
2. Guide-chaîne
3. Chaîne
4. Réducteur de tension pour les câbles de branchement
5. Enveloppe protecteur
6. Instruction d'emploi (sans illustration)

Si l'une des pièces ci-dessus mentionnées n'est pas livrée avec la tronçonneuse électrique, veuillez contacter votre distributeur.

## Symboles

Vous rencontrerez les symboles suivants sur l'appareil et dans le manuel d'emploi:

	<b>Lire instructions d'emploi et suivre les consignes de sécurité et d'avertissement!</b>		<b>Longueur de coupe maximale autorisée</b>
	<b>Recommandations particulières!</b>		<b>Porter des gants de protection!</b>
	<b>Porter le casque, les lunettes et acoustiques de protection!</b>		<b>Préserver de l'humidité!</b>
	<b>Enlever la fiche de contact!</b>		<b>Sens de la chaîne de sciage</b>
	<b>Enlever la fiche de contact en cas d'endommagement du câble!</b>		<b>Double isolation</b>
	<b>Frein de chaîne desserré</b>		<b>L'huile de chaîne</b>
	<b>Frein de chaîne activé</b>		<b>Premiers secours</b>
	<b>Contrecoup (kickback)!</b>		<b>Recyclage</b>
	<b>Interdit!</b>		<b>A</b>
			<b>B</b>
			<b>C</b>

- A)** Angle maximum de choc de recul calculé (CKA) sans frein de chaîne, avec les combinaisons de barre et de chaîne recommandées.
- B)** Il faut éviter tout contact de la pointe du guide avec un objet quel-conque. Le contact de la pointe peut entraîner un déplacement brutal du guide vers le haut et vers l'arrière et être à l'origine de blessures graves ou mortelles.
- C)** Il faut toujours utiliser la tronçonneuse en la tenant des deux mains!

## MESURES DE SECURITE IMPORTANTES

**AVERTISSEMENT: RESPECTEZ EN TOUTE OCCASION LES MESURES DE SECURITE ELEMENTAIRES LORSQUE VOUS UTILISEZ UNE TRONÇONNEUSE ELECTRIQUE. CES PRECAUTIONS AIDERONT A REDUIRE LES RISQUES D'INCENDIE, DE CHOC ELECTRIQUE ET DE BLESSURE CORPORELLE. RESPECTEZ EGALEMENT LES INSTRUCTIONS SUIVANTES:**

**LISEZ ATTENTIVEMENT LES INSTRUCTIONS SUIVANTES (1)**

### - Maintenez la zone de travail propre et rangée

Le désordre est propice aux accidents. Ne commencez pas la coupe avant d'avoir dégagé la zone de travail, de vous être assuré une position stable au sol et d'avoir prévu une voie de repli vous permettant de vous retirer lorsque l'arbre s'abattra.

### - Tenez compte de l'environnement de travail

Soyez extrêmement prudent lorsque vous coupez des broussailles et des jeunes arbres de petites dimensions car du petit bois peut se prendre dans la chaîne de la tronçonneuse et être projeté vers vous ou vous tirer en vous faisant perdre l'équilibre. Ne travaillez jamais dans un arbre à moins d'y avoir été spécialement formé. Lorsque vous coupez des grosses branches qui forcent, faites attention à la détente pour ne pas être heurté lorsque la tension sur les fibres du bois se relâchera. N'exposez pas la tronçonneuse à la pluie (3). N'utilisez pas la tronçonneuse dans des lieux humides ou mouillés ou encore en présence de liquides ou de gaz inflammables.

### - Préservez-vous des chocs électriques

Evitez le contact corporel avec les surfaces à la terre comme les tuyaux métalliques ou les clôtures.

### - Eloignez les enfants

Interdisez à quiconque de toucher la tronçonneuse ou son cordon d'alimentation. Eloignez toute personne de votre zone de travail (4).

### - Rangez convenablement la tronçonneuse lorsqu'elle ne fonctionne pas

Lorsqu'elle ne fonctionne pas, rangez la tronçonneuse en hauteur, hors de portée des enfants, dans un endroit sec et fermant à clé. Utilisez une housse ou une caisse de transport.

### - Ne forcez pas sur la tronçonneuse

Elle remplira d'autant mieux son office qu'elle est utilisée conformément à ses spécifications.

### - Utilisez les outils convenables

Coupez uniquement du bois. N'utilisez pas la tronçonneuse pour d'autres applications comme la découpe de plastique ou de matériaux de construction n'étant pas en bois.

### - Portez une tenue appropriée

Ne portez aucun vêtement ample ni bijoux, ils pourraient être happés par les pièces en mouvement. Il est recommandé de porter des gants de caoutchouc et des chaussures antidérapantes si vous devez travailler à l'extérieur. Portez un couvre-chef pouvant contenir les cheveux longs.

### - Utilisez des lunettes de protection

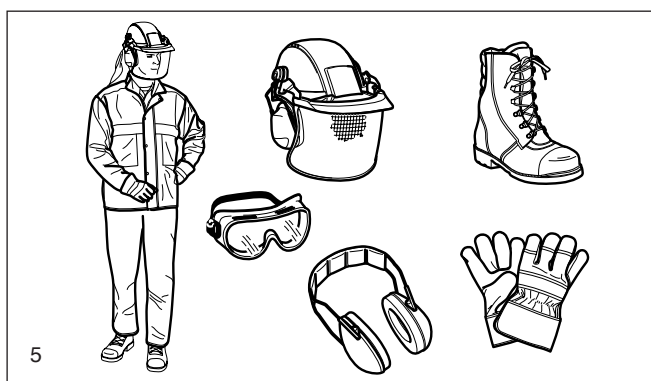
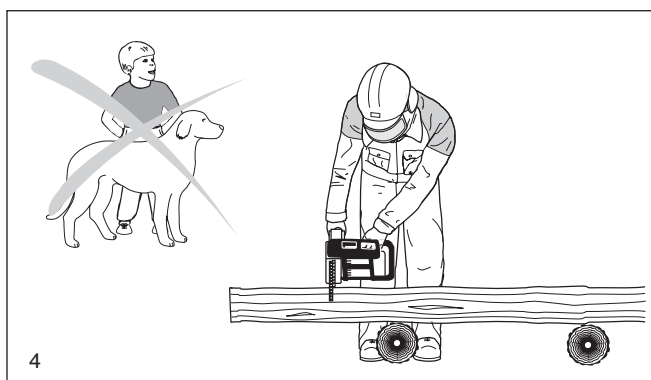
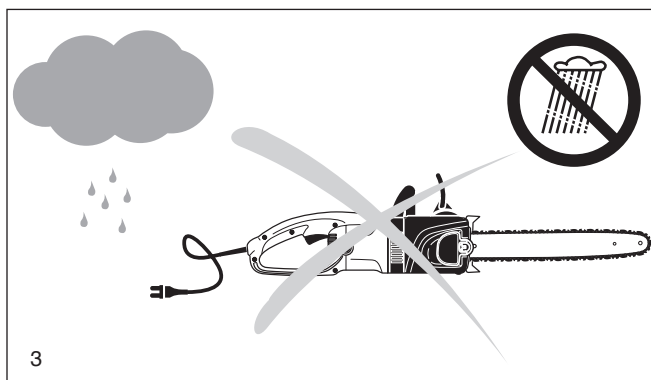
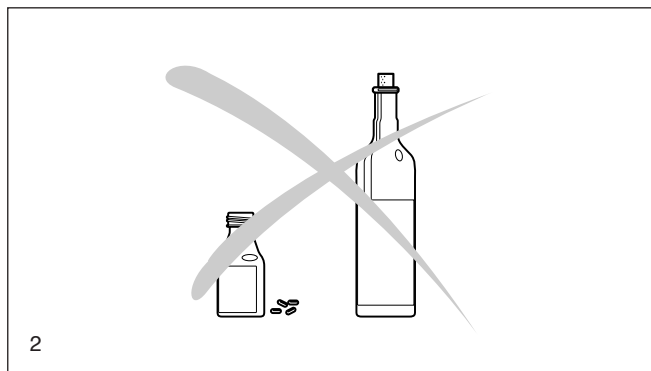
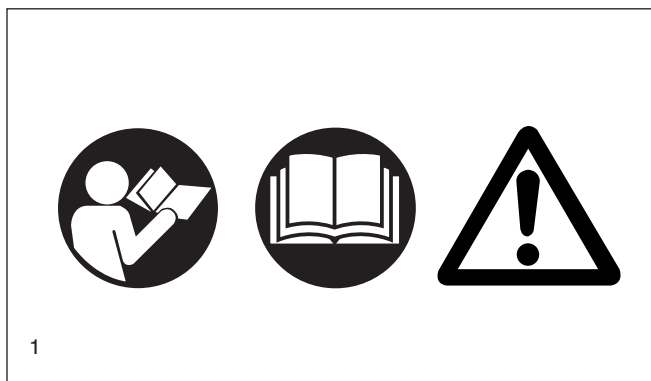
ainsi que des chaussures de sécurité, des vêtements près du corps, des gants de protection, des protections auditives et un casque de protection (5).

### - Transport de la tronçonneuse

Transportez la tronçonneuse arrêtée en la tenant par la poignée avant, le doigt à l'écart de l'interrupteur, le guide et la chaîne orientés vers l'arrière et couverts par la protection.

### - Entretenez avec soin votre tronçonneuse

Inspectez régulièrement les cordons électriques et faites-les réparer dans un point de service autorisé. Maintenez en permanence le cordon à l'écart de la chaîne et de l'utilisateur.



Ne transportez jamais la tronçonneuse en la tenant par le cordon. Ne tirez jamais sur le cordon pour retirer la prise du socle. Protégez les cordons de l'huile et des arêtes coupantes. Inspectez les cordons régulièrement et procédez à leur remplacement s'ils sont endommagés. Pour de meilleures performances, maintenez les outils propres et affûtés. Suivez les instructions de lubrification et de remplacement d'accessoires. Maintenez les poignées sèches et libres d'huile ou de graisse.

- **Débranchez la tronçonneuse**

Débranchez la tronçonneuse lorsqu'elle ne sert pas, avant de l'entretenir et pour procéder au remplacement d'accessoires ou de pièces comme la chaîne ou la protection (6).

- **Cordons d'alimentation pour utilisation en extérieur**

Utilisez exclusivement des cordons pour utilisation extérieure marqués en conséquence.

- **Restez vigilant**

Soyez conscient de vos actes. Faites preuve de bon sens. N'utilisez pas la tronçonneuse si vous êtes fatigué. Maintenez toutes les parties du corps à l'écart de la chaîne lorsque le moteur fonctionne. Avant de démarrer la tronçonneuse, assurez-vous que la chaîne n'est en contact avec aucun objet.

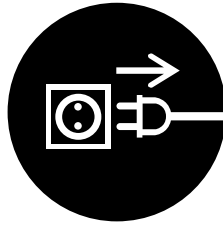
- **Vérifiez les pièces endommagées**

Avant de poursuivre l'utilisation de la tronçonneuse, vérifiez avec soin la protection ou toute autre pièce éventuellement endommagée pour vous assurer qu'elle fonctionnera convenablement et conformément à sa destination. Vérifiez que les pièces mobiles sont convenablement alignées, non tordues; assurez-vous également qu'aucune pièce n'est brisée et contrôlez les fixations, ainsi que toutes autres circonstances pouvant affecter le fonctionnement de la tronçonneuse. Une protection ou toute autre pièce endommagée doit être convenablement réparée ou remplacée par un centre de service autorisé, à moins que cela ne soit mentionné différemment dans le présent manuel. Faites remplacer les interrupteurs défectueux par un centre de service autorisé. N'utilisez pas la tronçonneuse si l'interrupteur ne permet plus de la démarrer et de l'arrêter. N'utilisez pas une tronçonneuse endommagée, mal réglée ou non assemblée complètement et de manière sûre (7). Assurez-vous que la tronçonneuse s'immobilise dès que la gâchette est relâchée.

- **Protégez-vous du choc de retour**

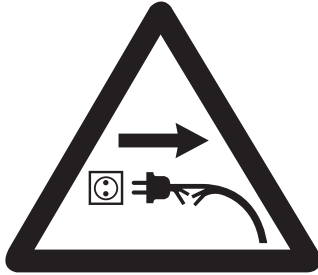
**AVERTISSEMENT:** le choc de recul peut se produire lorsque la pointe ou l'extrémité du guide touche un objet (8) ou lorsque le bois se referme et coince la chaîne dans la coupe. Le contact peut arrêter brutalement la chaîne et, dans certains cas, causer une réaction inverse extrêmement rapide, entraînant un déplacement du guide vers le haut et vers l'arrière en direction de l'utilisateur. L'une ou l'autre de ces réactions peut vous faire perdre le contrôle de la tronçonneuse et provoquer des blessures graves. L'utilisateur de la tronçonneuse emploiera les précautions suivantes pour minimiser le choc de recul:

- Toujours empoigner la poignée comme montré sur la Figure (9). Si un huileur manuel est fourni, des instructions additionnelles ou modifiées concernant son utilisation doivent être fournies.
- Ne coupez pas en extension.
- Conservez à tout moment une position ferme et maintenez votre équilibre.
- Ne laissez pas la pointe du guide toucher le rondin, la branche, le sol ou tout autre obstacle.
- Ne coupez pas plus haut qu'à hauteur d'épaules (10).
- Utilisez des chaînes à faible effet de retour, ainsi que des freins et des guides spéciaux réduisant les risques associés à l'effet de retour.
- N'utilisez que les guides et les chaînes de remplacement spécifiés par le fabricant.

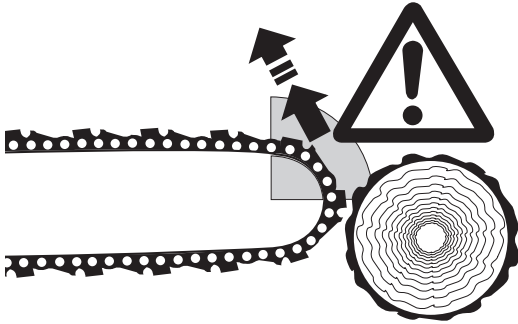


- panne
- entretien
- remplissage d'huile
- affûtage de la chaîne
- pause
- transport
- mise hors service

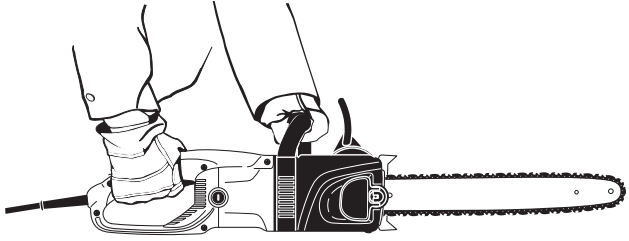
6



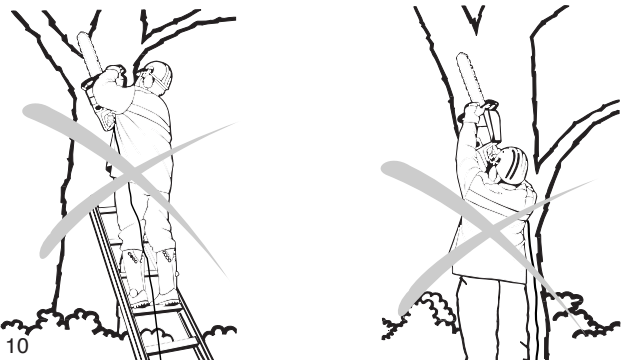
7



8



9



10

### - Alimentation électrique

Connectez la tronçonneuse à une prise de voltage approprié. Assurez-vous que le voltage correspond aux indications de la plaque de type de l'outil (11).

### - Pièces détachées

Pour l'entretien, utilisez exclusivement des pièces détachées identiques (11).

### - Prises électriques polarisées

Pour réduire le risque de choc électrique, cet équipement possède une prise polarisée (l'une des fiches est plus large que l'autre). Ainsi, la prise ne pourra être introduite que dans un seul sens dans le socle correspondant. Si la prise ne pénètre pas dans le socle, tournez-la. En cas d'échec, contactez un électricien qualifié qui procédera à l'installation d'un socle adéquat. Ne modifiez en aucune manière la prise vous-même.

### - Portez une protection auditive lorsque la tronçonneuse fonctionne.

### - Avant de couper un arbre, retirez la saleté, les pierres, les morceaux d'écorce, ainsi que les clous, agrafes et fils de fer.

### - Maintenez fermement le rondin de façon à ce qu'il ne roule pas ou se déplace subitement pendant la coupe.

### - EVITEZ TOUTE MISE EN MARCHÉ INTEMPESTIVE. Ne transportez pas la tronçonneuse en maintenant le doigt sur l'interrupteur lorsqu'elle est branchée. Assurez-vous que l'interrupteur est en position d'arrêt au moment de brancher la prise.

### - Attention ! Maintenez cet outil à l'abri de la pluie (12) et retirez immédiatement la prise si le câble d'alimentation est endommagé ou sectionné (13).

### - Ne laissez pas la tronçonneuse à l'extérieur en cas de pluie. N'utilisez pas la tronçonneuse si elle est mouillée.

## REMARQUE IMPORTANTE SUR LE VOLTAGE:

Avant de connecter l'outil à une alimentation électrique (socle, etc.), assurez-vous que le voltage délivré coïncide avec les spécification mentionnées sur la plaque signalétique de l'outil. L'utilisateur peut subir des BLESSURES GRAVES si le voltage de la source d'énergie est supérieur au voltage spécifié sur l'outil. En cas de doute, NE BRANCHEZ PAS L'OUTIL. Un voltage inférieur à la mention de la plaque signalétique est sans conséquence pour le moteur.

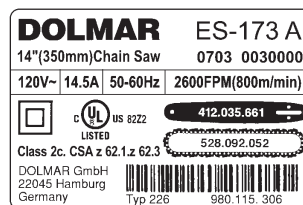
## Utilisation du cordon prolongateur

Si le cordon prolongateur est destiné à être utilisé en extérieur, le marquage de sa désignation de type devra comporter le suffixe W-A. Par exemple, SJTW-A indique que le cordon peut être utilisé en extérieur. Utilisez un cordon de section conforme aux besoins de la tronçonneuse. Un cordon de dimensions insuffisantes a pour effet d'abaisser le voltage en raison de la chute de puissance et de la surchauffe. Avant de commencer le travail, assurez-vous que le cordon prolongateur est en bon état. Eloignez le cordon de la zone de travail et placez-le de façon à ce qu'il ne se prenne pas dans les branchages etc. pendant la coupe. Le tableau ci-contre vous aidera à déterminer les dimensions du cordon dont vous aurez besoin.

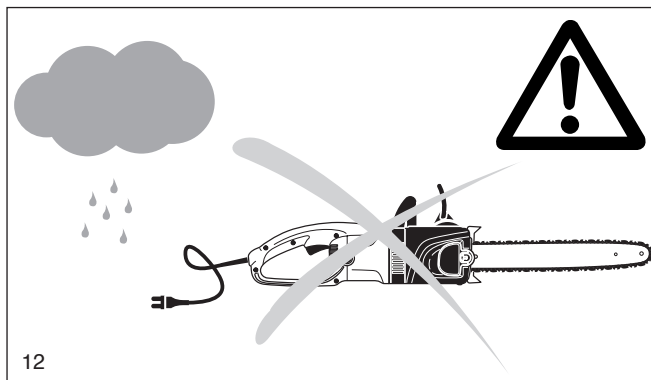
Contactez un centre de service DOLMAR autorisé si vous ne parvenez pas à trouver le prolongateur adéquat.

**CONSERVEZ AVEC SOIN CES INSTRUCTIONS !**

## Plaque signalétique ES-173 A

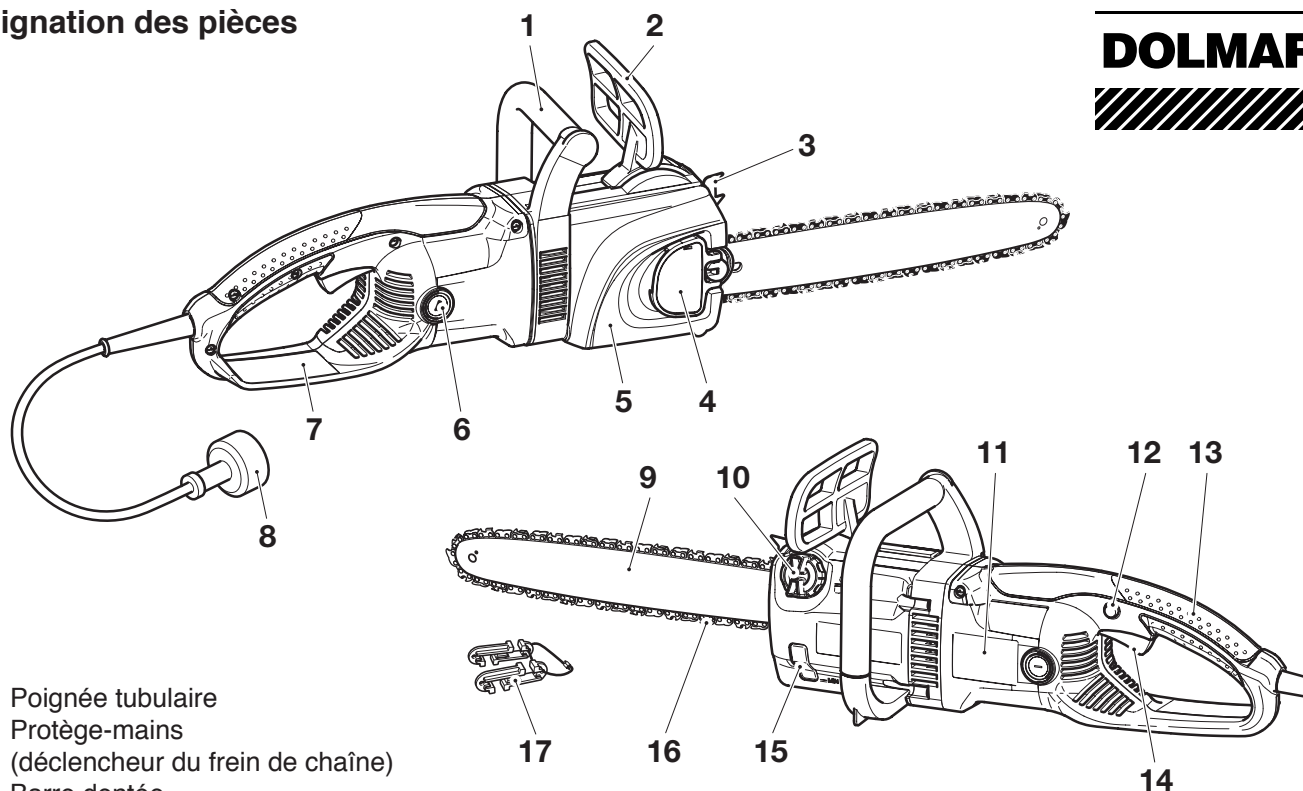


Indiquer en cas de commande de pièces de rechange  
11



Ampérage (sur plaque de type)	0-5.0	5.1-10.0	10.1-13.0	13.1-15.0
<b>Longueur du prolongateur</b>	<b>Taille de conducteur (American Wire Gauge)</b>			
25 Ft.	18	18	16	14
50 Ft.	18	16	16	14
75 Ft.	18	16	14	14
100 Ft.	16	14	12	12
125 Ft.	16	12	12	12
150 Ft.	16	12	12	-





- 1 Poignée tubulaire
- 2 Protège-mains  
(déclencheur du frein de chaîne)
- 3 Barre dentée
- 4 Tendeur rapide du protège-pignon à chaîne
- 5 Protection de la roue à chaîne, frein de chaîne
- 6 Couvercle pour charbons de bois
- 7 Protège-mains arrière
- 8 Câble avec fiche
- 9 Guide-chaîne
- 10 Capot de fermeture pour réservoir d'huile

- 11 Plaque signalétique
- 12 Bouton de blocage
- 13 Poignée arrière
- 14 Interrupteur de mise en marche/d'arrêt
- 15 Cadran indiquant le niveau d'huile
- 16 Chaîne
- 17 Réducteur de tension pour les câbles de connexion

**Abattage:** opération consistant à couper un arbre.

**Bouton de blocage:** un dispositif de blocage mobile prévenant la sollicitation intempestive de l'interrupteur jusqu'à ce qu'il soit manuellement actionné.

**Chaîne à faible effet de retour:** une chaîne de tronçonneuse conforme aux exigences ANSI B175.1 testée parmi un échantillon représentatif de chaînes de tronçonneuse.

**Chaîne de remplacement:** une chaîne conforme aux exigences ANSI B175.1 en matière de retour; performances démontrées en test avec des chaînes de tronçonneuse spécifiques. Elle pourrait ne pas satisfaire aux exigences ANSI si elle est utilisée sur une autre tronçonneuse.

**Chaîne de tronçonneuse:** une chaîne possédant des dents de coupe pour le sciage du bois. La chaîne, qui repose sur le guide, est entraînée par le moteur.

**Corps de tronçonneuse:** une tronçonneuse sans sa chaîne et son guide.

**Coupe d'abattage:** la coupe finale d'abattage pratiquée de l'autre côté de l'encoche d'abattage.

**Débitage:** opération consistant à découper à longueur un arbre ou un rondin.

**Embrayage:** un mécanisme dont la fonction est de connecter ou déconnecter un organe entraîné d'une source de puissance rotative.

**Encoche:** une coupe pratiquée dans le tronc pour orienter le sens de chute de celui-ci.

**Frein de chaîne:** un dispositif destiné à arrêter la chaîne de la tronçonneuse.

**Guide à faible effet de retour:** un guide-chaîne dont il est démontré qu'il réduit de manière significative l'effet de retour.

**Guide-chaîne:** une pièce robuste munie d'une gorge servant à supporter et à guider la chaîne.

**Huileur:** un dispositif dont la fonction est de lubrifier le guide et la chaîne de la tronçonneuse.

**Interrupteur:** un dispositif qui, selon sa sollicitation, établit ou coupe l'alimentation électrique du moteur de la tronçonneuse.

**Poignée arrière:** la poignée de soutien située à l'arrière de la tronçonneuse.

**Poignée avant:** la poignée de maintien située à l'avant de la tronçonneuse.

**Position normale de coupe:** les positions adoptées pendant les opérations de débitage et d'abattage.

**Protection de la poignée avant:** barrière structurelle située entre la poignée avant de la tronçonneuse et le guide de chaîne. Cette protection est généralement placée à proximité de l'emplacement de la main sur la poignée avant et est parfois employée comme levier de déclenchement du frein de chaîne.

**Retour:** le mouvement du guide de chaîne vers le bas, vers le haut ou dans les deux sens, lorsque la chaîne entre en contact, à la pointe du guide, avec un objet comme un rondin ou une branche, ou lorsque le bois se resserre sur la chaîne et la pince.

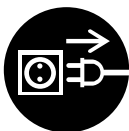
**Retour, pincement:** le mouvement rapide de retour de la tronçonneuse pouvant se produire lorsque le bois se resserre et pince la chaîne en mouvement dans la coupe.

**Retour, rotation:** le mouvement rapide vers le haut et vers le bas de la tronçonneuse pouvant se produire lorsque la chaîne en mouvement entre en contact avec un objet, rondin ou branche, près de la portion supérieure du guide-chaîne.

**Rive dentée (griffes):** dents ou griffes utilisées pendant le débitage ou l'abattage pour faire pivoter la tronçonneuse et maintenir la position.

**Roue d'entraînement ou roue à chaîne:** pièce dentée qui entraîne la chaîne de sciage.

## MISE EN ROUTE



**ATTENTION:** Porter obligatoirement des gants de protections pour tous les travaux à la chaîne et au guide-chaîne. Enlever la fiche de contact.

**ATTENTION:** La tronçonneuse électrique ne peut être démarrée qu'après le montage complet et le contrôle effectué!

**A**

### Montage du guide-chaîne et de la chaîne

Poser la tronçonneuse électrique sur un support stable et procéder de la façon suivante pour monter la chaîne et le guide-chaîne:

Desserrer le frein de chaîne en tirant le protège-mains (1) dans le sens de la flèche.

Relever le tendeur rapide du pignon à chaîne (2) (voir aussi Figure G).

Enfoncer le tendeur rapide du protège-pignon à chaîne contre la tension du ressort et tourner lentement **dans le sens inverse des aiguilles** jusqu'à ce qu'il s'enclenche. Continuer à pousser et tourner le plus possible dans le sens inverse des aiguilles.

Relâcher le tendeur rapide du protège-pignon à chaîne (réduire la tension) et le remettre à la position initiale en tournant **dans le sens des aiguilles** et répéter l'opération autant de fois que nécessaire jusqu'à ce que le protège-pignon à chaîne (3) soit dévissé.

Ecarter légèrement le protège-pignon à chaîne (3), le tirer des deux fixations (4) arrière et le retirer.

**B**

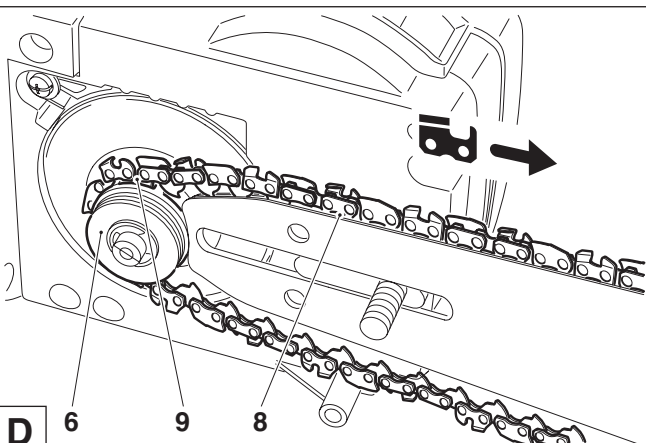
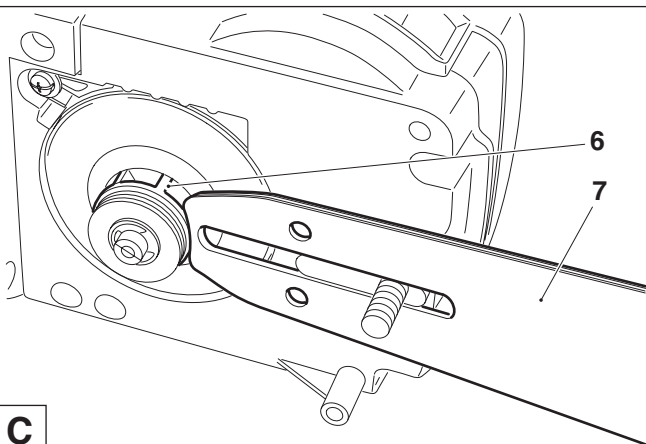
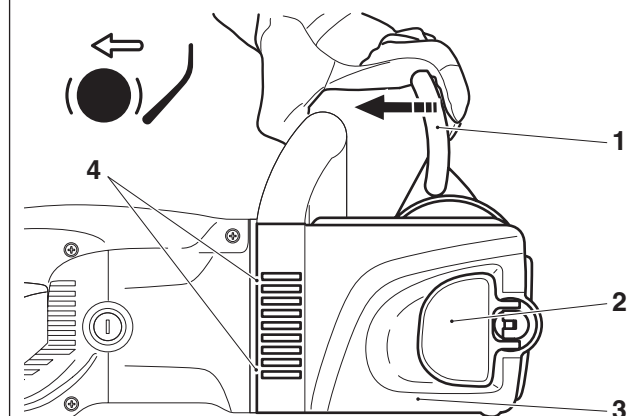
Poser le guide (7) et pousser contre le pignon à chaîne (6).

**C**

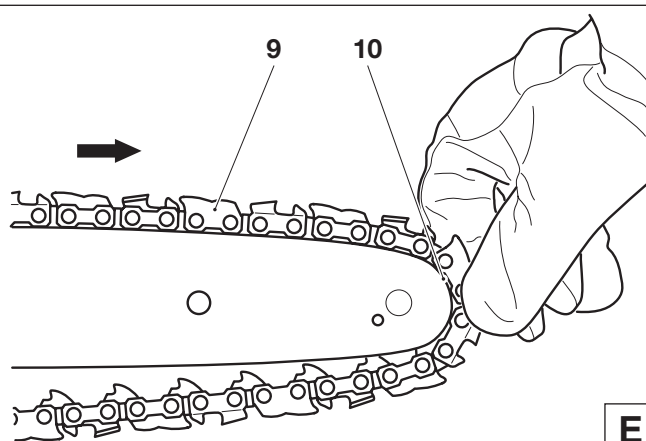
Poser la chaîne de scie (9) sur le pignon à chaîne (6). Introduire de la main droite la chaîne de scie dans la rainure de guidage supérieure (8) du guide.

**Les bords coupants de la chaîne doivent être dirigés dans le sens de la flèche sur le côté supérieur du guide.**

**D**



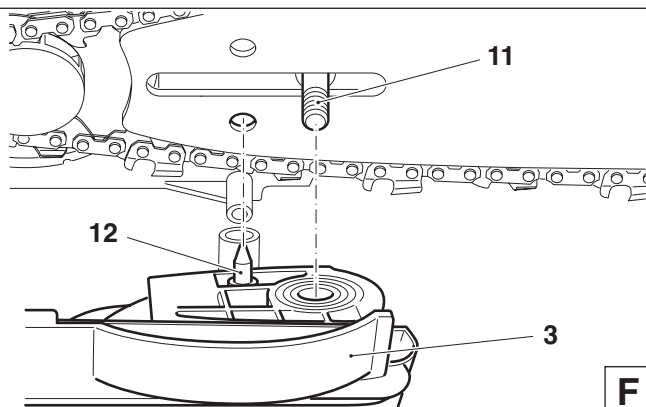
Pousser légèrement de la main gauche le guide contre le logement situé sur le carter et guider la chaîne de scie (9) autour de l'étoile de renvoi (10) en tirant légèrement la chaîne de scie dans le sens de la flèche.



E

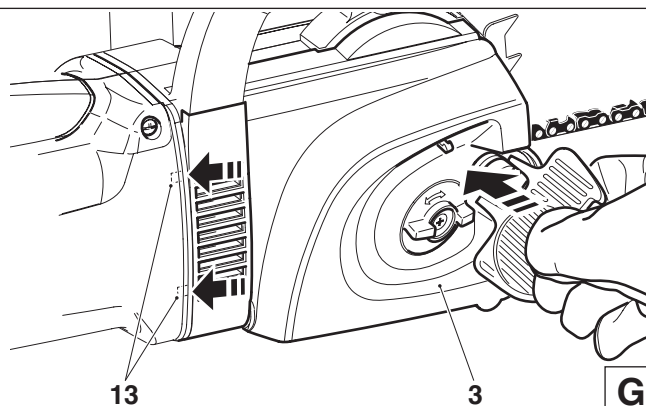
Aligner les perçages de positionnement situés sur le protège-pignon à chaîne sur les boulons d'entretoisement (11).

En tournant la vis de tension de chaîne (H/14), faire correspondre le boulon de tension de chaîne (12) avec le perçage du guide.



F

Pousser d'abord le protège-pignon à chaîne (3) dans la fixation (13) et ensuite le pousser sur le boulon d'entretoisement (F/11).



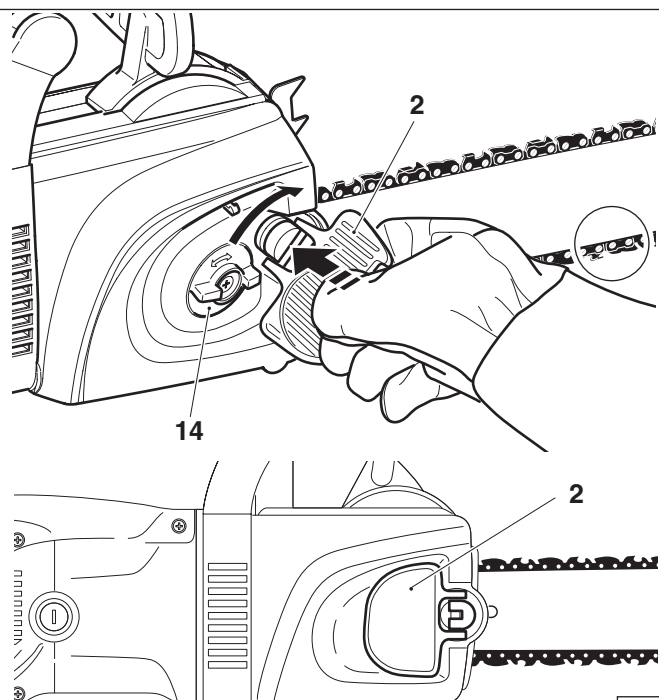
G

### Tendre la chaîne de sciage

En enfouissant fortement et en tournant en même temps le tendeur rapide du protège-pignon à chaîne (2, dans le sens des aiguilles), visser le protège-pignon à chaîne (3), mais ne pas encore le serrer à bloc.

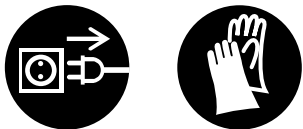
Soulever légèrement la pointe du guide et tourner le tendeur de chaîne (14) dans le sens des aiguilles jusqu'à ce que la chaîne de scie s'enclenche dans la rainure de guidage du dessous du guide (voir cercle).

Enfoncer de nouveau le tendeur rapide du protège-pignon à chaîne (2) et le serrer à bloc dans le sens des aiguilles.



H

Relâcher le tendeur rapide du protège-pignon à chaîne (2) (réduire la tension) jusqu'à ce qu'il puisse être tourné librement. Ensuite le replier comme montré sur la Figure.



### Contrôle de la tension de la chaîne

La tension correcte de la chaîne est alors garantie si la chaîne repose bien sur la partie inférieure du guide-chaîne et peut être soulevée de 2-4 mm env. du guide-chaîne à la main.

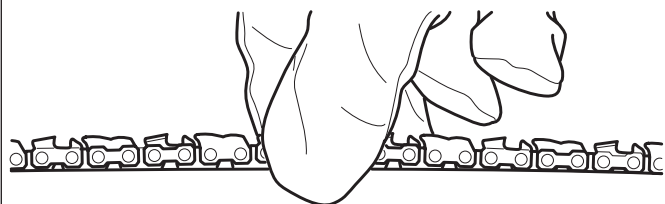
Contrôler fréquemment la tension de la chaîne, les chaînes neuves ayant tendance à s'allonger!

Pour cela, vérifier souvent la tension de la chaîne avec le **moteur en arrêt** et la **fiche de contact étant enlevée**. **Si la chaîne est pas assez tendue**: Desserrer le tendeur rapide du protège-pignon à chaîne d'un tour environ. Tendre la chaîne comme décrit sous « Tendre la chaîne de sciage ».

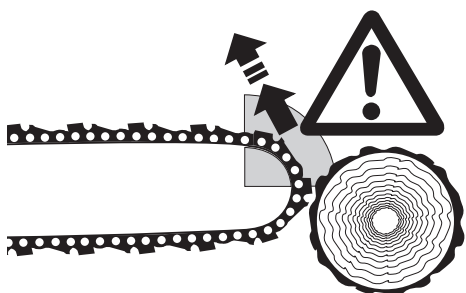
#### CONSEIL PRATIQUE:

Utiliser 2 ou 3 chaînes en alternance de manière à ce que la chaîne, la roue à chaîne et les surfaces de roulement du guide-chaîne s'usent régulièrement.

Pour atteindre une usure régulière des rails, on devra retourner le guide-chaîne lors du changement de la chaîne.



I



### Frein de chaîne

La tronçonneuse est équipée en série d'un frein de chaîne. Les contre-coups se produisent si la pointe du rail-guide touche le bois (voir chapitre «CONSIGNES DE SECURITE» à la page 27).

### Frein de ralentissement

La tronçonneuse est équipée en série d'un frein de ralentissement.

Le frein de ralentissement permet, après avoir relâché la pression du bouton MARCHE/ARRET, d'immobiliser immédiatement la chaîne et d'empêcher ainsi la marche à vide de la chaîne.

Le contrôle du frein de ralentissement est décrit à la page 36.

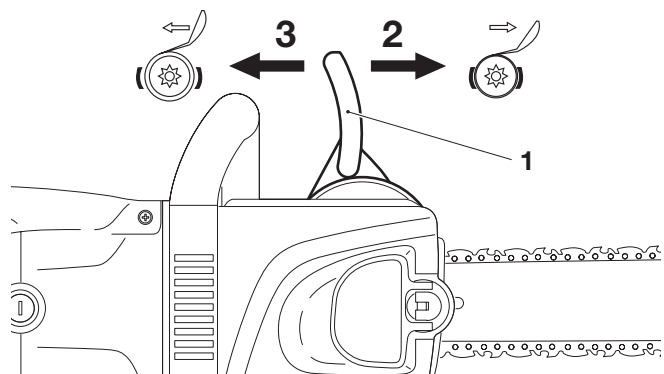
### Entretien du frein de chaîne et du frein de ralentissement

Les systèmes de freinage sont des dispositifs de sécurité très importants et sont, comme toute pièce, soumis à une certaine usure. Un contrôle et entretien régulier sont destinés à votre sécurité personnelle et peuvent être effectués par un atelier spécialisé DOLMAR.

**DOLMAR**

**SERVICE**

J



### Enclencher le frein de chaîne (bloquer)

En cas de contrecoup suffisamment fort, le frein de chaîne **se déclenche automatiquement** dû à l'accélération rapide de la chaîne de sciage et à l'inertie de masse du protège-main (1).

Lors d'un enclenchement **manuel** le protège-main (1) est poussé par la main gauche en direction de la pointe du guide-chaîne (flèche 2).

### Libérer le frein à main

Tirer le protège-main (1) en direction de la poignée en étrier (flèche 3) jusqu'à son enclenchement. Le frein à main est libéré.

#### REMARQUE:

Lorsque le frein de chaîne est actionné l'arrivée du courant au moteur s'interrompt. Le contrôle du frein de chaîne est décrit à la page 36.

K

## Huile de chaîne



Utiliser une huile de chaîne contenant un agent adhésif pour lubrifier la chaîne et le guide-chaîne. Cet agent adhésif évite que l'huile soit jetée trop vite du dispositif de tronçonnage.

N'utilisez pas de pétroles. Pour protéger l'environnement, l'utilisation d'huile biodégradable est prescrite.

L'huile BIOTOP offerte par DOLMAR est produite à base d'huiles végétales de première qualité et est biodégradable à 100 %. BIOTOP a reçu „L'Ange Bleu“ (RAL UZ 48). (Etiquette donnée par les autorités allemandes à tous les produits favorables à l'environnement)



L'huile de chaîne BIOTOP est vendue dans les quantités indiquées ci-dessous dépendant de la consommation:

1 litre	no. de commande 980 008 210
5 litres	no. de commande 980 008 211

L'huile de chaîne biodégradable ne se conserve qu'un temps limité et devrait être utilisée dans un délai de 2 ans après la date de fabrication imprimée sur l'emballage.

A

### Remarque Importante pour les huiles de chaîne de sciage bio

Avant une longue mise hors service (dépassant la date de conservation de l'huile de chaîne de sciage), le réservoir à huile doit être vidé et rempli ensuite d'un peu d'**huilemoteur** (SAE 30). Ensuite, faire marcher la scie électrique pendant quelques temps de manière à rincer les restes d'huile bio du réservoir, du système de conduite d'huile et du dispositif de sciage. Cette mesure est indispensable car différentes huiles bio ont tendance à coller

ce qui peut détériorer la pompe à huile ou des éléments d'alimentation d'huile.

Pour une remise en marche, remplir à nouveau de l'huile pour chaîne de scie BIOTOP. La garantie ne couvre pas les dommages dus à l'utilisation d'huile usée ou d'une huile de chaîne inappropriée.

Votre distributeur qualifié vous informera sur l'utilisation correcte de l'huile de chaîne.

### L'HUILE USÉE EST FORTEMENT NUISIBLE À L'ENVIRONNEMENT!

Les huiles usées ont un grand pourcentage de substances dont les effets cancérigènes ont été prouvés.

Les impuretés dans l'huile usée entraînent une grande usure à la pompe à huile et au dispositif de tronçonnage.

La garantie ne couvre pas les dommages dus à l'utilisation d'huile usée ou d'une huile de chaîne inappropriée.

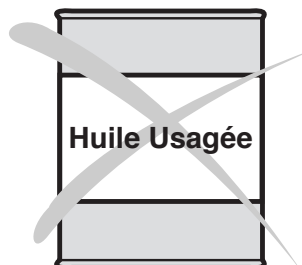
Votre distributeur qualifié vous informera sur l'utilisation correcte de l'huile de chaîne.

### EVITER LE CONTACT AVEC LA PEAU ET LES YEUX

Les produits pétroliers, et aussi les huiles, dégraissent la peau. Après un contact répété ou d'une longue durée avec ces produits, la peau dessèche. Ceci peut mener à de différentes maladies de peau. En outre, des réactions allergiques sont connues.

Lorsque l'huile entre en contact avec les yeux des irritations se manifestent. Dans ce cas rincer immédiatement l'œil avec de l'eau propre.

Si l'irritation persiste, consulter immédiatement un médecin.



B



## Remplir le réservoir d'huile



Remplir le réservoir d'huile seulement lorsque le moteur est en arrêt et lorsque la fiche de contact est débranchée!

- Afin d'éviter l'introduction d'impuretés dans le réservoir d'huile nettoyer soigneusement l'endroit à proximité du capot de fermeture.
- Dévisser le capot de fermeture (1) et remplir le réservoir d'huile jusqu'au bord inférieur de la tubulure de remplissage.
- Bloquer le capot de fermeture à nouveau.
- Le cas échéant essuyer l'huile ayant débordée.

### Remarque Importante!

Lors de la première mise en service, le système de conduite d'huile doit être d'abord rempli entièrement jusqu'à ce que l'huile de chaîne de sciage graisse le dispositif de sciage.

Cette opération peut durer jusqu'à deux minutes.

- Le niveau de remplissage est indiqué dans le cadran (2).

Afin de lubrifier la chaîne d'une façon suffisante il doit se trouver toujours assez d'huile dans le réservoir.

C

## Lubrification de la chaîne

Seulement après avoir coupé le moteur et débranché la fiche secteur!

Afin d'assurer le bon fonctionnement de la pompe à huile, la rainure de guidage d'huile (3) ainsi que le perçage d'entrée d'huile dans le guide-chaîne (4) doivent être nettoyés régulièrement.

### Remarque:

Après la mise hors service de la tronçonneuse, il est normal que de petites quantités d'huile de chaîne restant encore dans le système de conduite d'huile et sur le rail-guide s'écoulent encore un certain temps. Il ne s'agit pas d'un défaut dans ce cas.

Utiliser un support adéquat!

## Filtre à huile de chaîne

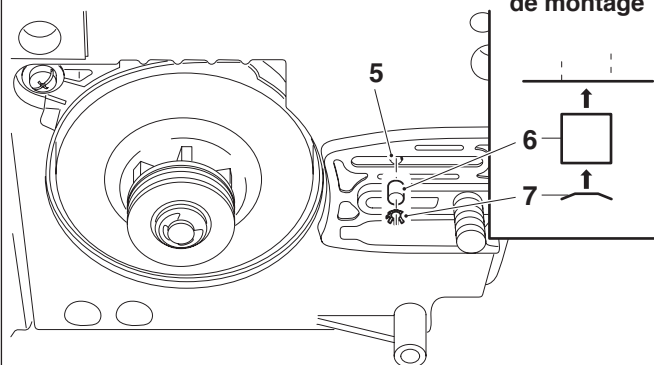
Les saletés se déposant sur le filtre à huile de chaîne empêchent au fur et à mesure l'huile de graissage de circuler. Cela provoque l'usure prématurée de la chaîne et du guide.

Si le graissage de la chaîne n'est plus suffisant, il est impératif de nettoyer ou de remplacer le filtre à huile de chaîne (6).

- Enlever le protège-pignon à chaîne, la chaîne et le guide (voir MISE EN ROUTE).
- Nettoyer avec précaution la zone de l'orifice de sortie de l'huile (5).
- Démontez avec précaution la rondelle en éventail (7) et le filtre à huile de chaîne (6) avec un petit tournevis.
- Nettoyer le filtre à huile de chaîne. Le remplacer s'il est très sale.
- Raccorder la scie électrique au secteur et la laisser marcher jusqu'à ce que l'huile de chaîne sorte de l'orifice de sortie d'huile.
- **Couper la scie électrique et la débrancher du secteur.**
- Nettoyer la zone de l'orifice de sortie de l'huile (5) avec un chiffon.
- Poser le filtre à huile de chaîne (6) et la rondelle en éventail (7) comme montré sur le **schéma de montage**. Si la rondelle en éventail ne sécurise plus le filtre à huile de chaîne, utiliser une nouvelle rondelle en éventail.
- Monter le guide, la chaîne et le protège-pignon à chaîne (voir MISE EN ROUTE).



Schéma de montage



D



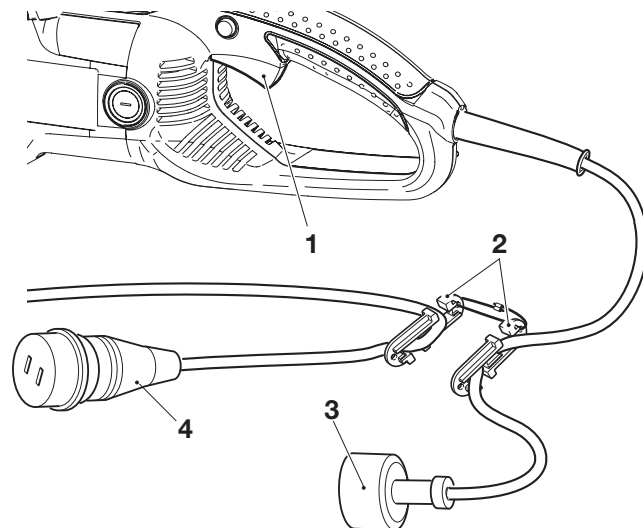
## Raccorder la scie électrique au secteur

### ATTENTION!

Avant de raccorder la scie électrique au secteur, toujours vérifier si le bouton **MARCHE/ARRÊT** (1) enfoncé revient automatiquement à la position initiale après l'avoir relâché. Si ce n'est pas le cas, ne brancher en aucun cas la scie électrique sur le secteur. Consulter un atelier de réparation DOLMAR.

Accrocher la rallonge et le câble de branchement de la scie électrique dans le réducteur de tension (2).

Relier la fiche secteur (3) à la rallonge (4).



A

## Utilisation de la tronçonneuse

Adoptez en toute occasion une position stable et maintenez la tronçonneuse fermement des deux mains pendant que le moteur tourne.

### Mettre le moteur en marche

- Brancher la tronçonneuse (voir en haut).
- **Lorsque la tronçonneuse électrique est mise en marche, il faut la tenir par les deux mains.** La main droite doit tenir la poignée arrière, la main gauche la poignée tubulaire. Empoigner les poignées fermement avec les pouces. Le guide-chaîne et la chaîne ne doivent pas être en contact avec d'autres objets.
- D'abord appuyer sur le bouton de blocage (5), puis appuyer sur l'interrupteur de mise en marche/d'arrêt (1) et relâcher le bouton de blocage (5).
- **Attention: La chaîne se met immédiatement en marche!** Tenir l'interrupteur de mise en marche/d'arrêt en position enfoncée aussi longtemps que le moteur doit être mise en marche.

### ATTENTION:

Il est interdit de fixer l'interrupteur de mise en marche/d'arrêt en position de mise en marche!

### Arrêter le moteur:

- Relâcher l'interrupteur de mise en marche/d'arrêt (1).

### REMARQUE:

Si le frein de chaîne est actionné, l'arrivée du courant au moteur s'interrompt.

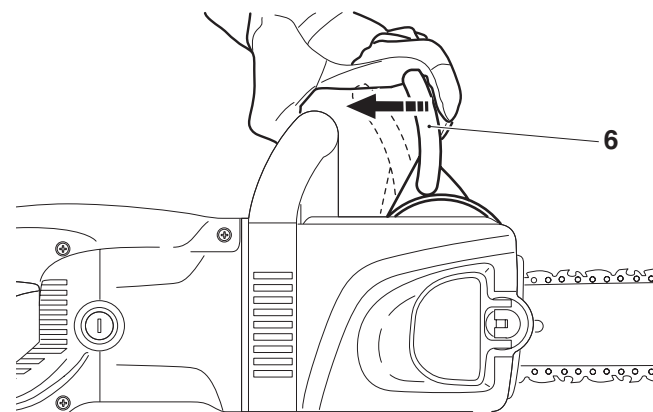
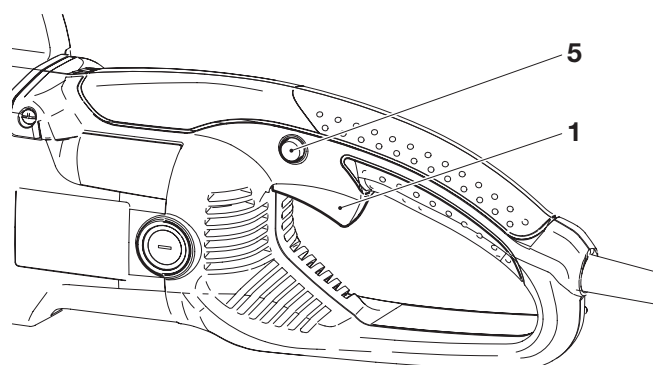
Si la tronçonneuse ne démarre pas à la pression du bouton marche/d'arrêt (1), le frein à chaîne doit être desserré.

- Tirez le protège-mains (6) d'un coup sec dans le sens de la flèche jusqu'à ce que vous l'entendez s'enclencher

### Note importante:

Les modèles sont équipés d'un limiteur de courant de démarrage. Ce composant électronique empêche un démarrage brusque du moteur électrique.

**Protection contre la surcharge:** Si l'intensité du courant absorbé par la scie électrique dépasse le niveau admissible, le moteur cesse automatiquement d'être alimenté. Cela empêche



que le moteur surchauffe et se détériore. Pour redémarrer ensuite la scie électrique (la faire démarrer), relâcher le bouton **MARCHE/ARRÊT** et le réappuyer.

**ATTENTION:** Ne pas continuer à utiliser la scie électrique quand la protection contre la surcharge stoppe la scie de manière répétée. Consulter un atelier de réparation DOLMAR.

B

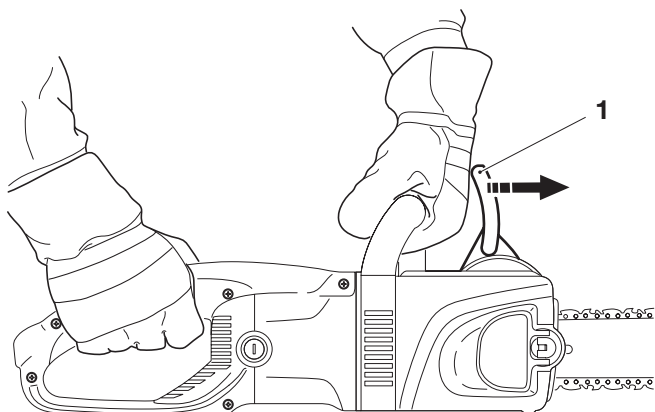
## Contrôle de la frein de chaîne



Le frein de chaîne doit être vérifié avant de commencer tous travaux.

- Bien tenir la poignée-étrier d'une main, l'autre main étant sur la manette.
- Démarrer le moteur comme décrit (prendre une position stable et poser la tronçonneuse sur le sol de façon à ce que le dispositif de sciage soit libre).
- Démarrer le moteur et appuyer sur le protège-mains (1) avec le dos de la main dans la sens de la flèche jusqu'à ce que le frein de chaîne se bloque. La chaîne de sciage doit immédiatement s'immobiliser.
- Arrêter immédiatement le moteur au ralenti et redesserrer le frein de chaîne.

**Attention: Si la chaîne ne s'arrête pas immédiatement lors de ce contrôle, il est strictement interdit de commencer à travailler. Contrôler le frein de ralentissement. Prière de consulter un atelier spécialisé DOLMAR.**



C

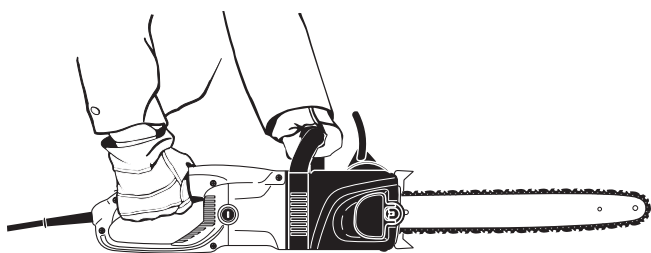
## Contrôler le frein de ralentissement



Le contrôle du frein d'arrêt doit être réalisé avant de commencer tout travail.

- Bien tenir la poignée-étrier d'une main, l'autre main étant sur la manette.
- Démarrer le moteur comme décrit (prendre une position stable et poser la tronçonneuse sur le sol de façon à ce que le dispositif de sciage soit libre).
- Démarrer le moteur et l'arrêter à nouveau. La chaîne de sciage doit s'arrêter en l'espace de deux secondes après la mise à l'arrêt du moteur.

**Attention: Si la chaîne de sciage ne s'arrête pas en l'espace de deux secondes lors de ce contrôle, il est interdit de commencer à travailler. Contrôler les balais de charbon (cf. page 41).**



D

## Vérifier la lubrification de la chaîne



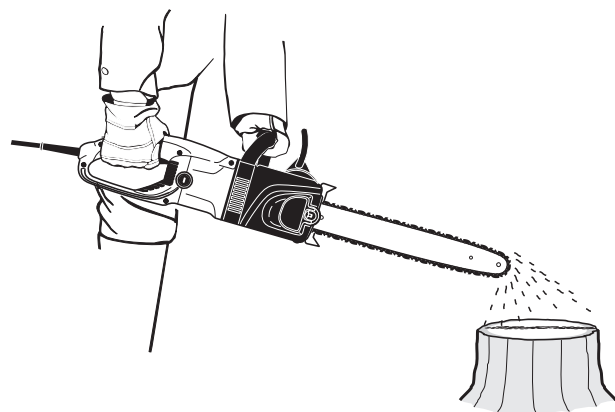
Ne jamais tronçonner avec une lubrification de la chaîne insuffisante. Cela diminue la longévité du dispositif de tronçonnage!

Avant de commencer à travailler vérifier la quantité d'huile dans le réservoir et le refoulement d'huile.

Ce contrôle du refoulement d'huile peut s'effectuer de la façon suivante:

- mettre la tronçonneuse électrique en marche
- tenir la chaîne tournant à environ 15 cm au-dessus d'une souche d'arbre ou du sol (utiliser un support approprié).

Lorsque la chaîne est lubrifiée d'une façon suffisante, il se produit une légère trace d'huile provoquée par l'huile éclaboussant. Faire attention à la direction du vent et ne pas s'exposer inutilement à la vapeur d'huile.



E

## Abattage d'un arbre

Si deux personnes ou plus effectuent simultanément des opérations d'abattage et de débitage, maintenez une distance égale à au moins le double de la hauteur de l'arbre à abattre entre la zone d'abattage et la zone de débitage. Pendant l'abattage, évitez toute circonstance de nature à présenter un danger pour les personnes, entraîner la chute de l'arbre sur une ligne électrique ou causer des dommages matériels. Si l'arbre tombe sur une ligne électrique, informez immédiatement la compagnie d'électricité.

Sur un terrain en pente, l'utilisateur de la tronçonneuse se maintiendra au-dessus de l'arbre car une fois abattu, celui-ci pourrait rouler ou glisser.

Prévoir et dégager si nécessaire une voie de repli avant de procéder à l'abattage. Cette voie doit être opposée à la direction prévue de la chute de l'arbre et présenter un angle comme indiqué sur la Fig. A. La prochaine zone d'abattage sera située à au moins 2 longueurs d'arbre.

Avant de débiter l'abattage, examinez l'apparence de l'arbre, recherchez l'emplacement des grosses branches et appréciez le sens du vent afin d'évaluer le sens de chute. Retirez la saleté, les pierres, les écorces, clous, agrafes et fils de fer avant de débiter l'abattage.

## Encoche d'abattage

Faites une coupe de 1/3 du diamètre de l'arbre, perpendiculairement au sens de chute de celui-ci (Fig. B). Commencez par la coupe inférieure afin d'éviter le pincement de la chaîne ou du guide lorsque vous attaquez la seconde coupe.

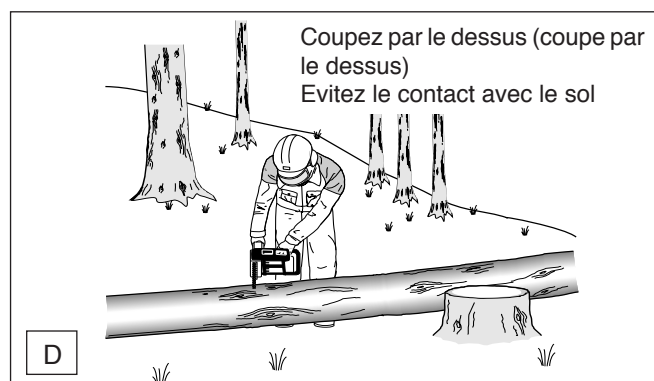
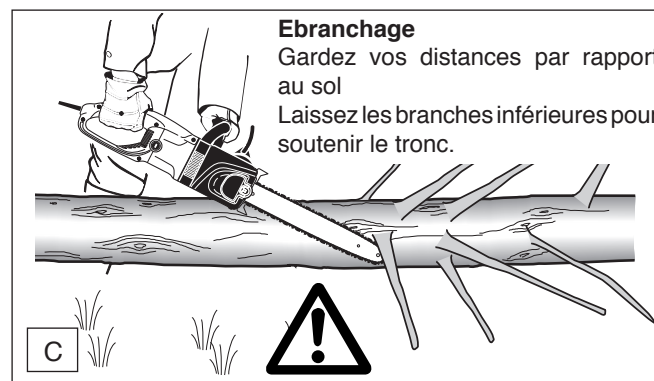
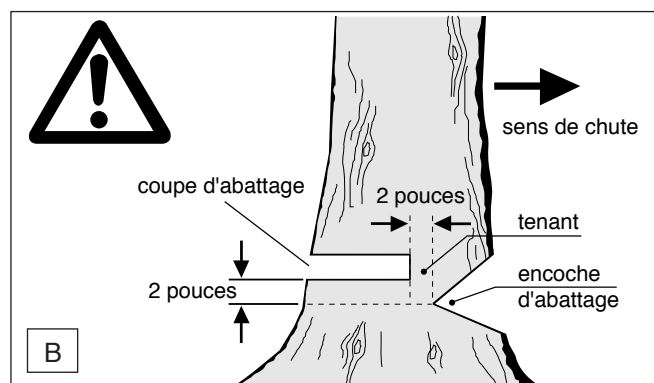
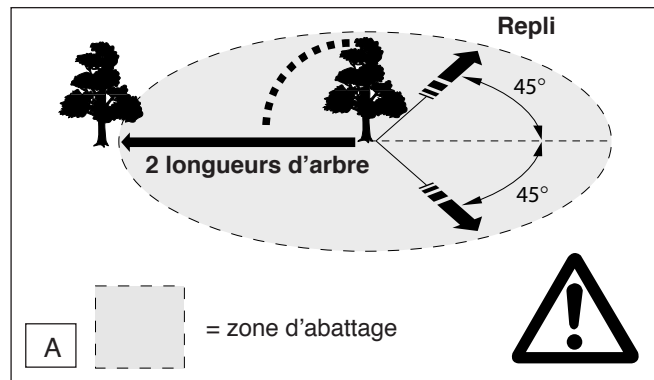
## Coupe d'abattage

La coupe d'abattage sera située au moins 2 pouces (50,8 mm) plus haut que l'encoche d'abattage horizontale comme indiqué dans la Fig. B. La coupe d'abattage sera parallèle à l'encoche d'abattage horizontale. Laissez suffisamment de bois pour faire office de tenant. Le tenant évite la torsion de l'arbre et sa chute dans la mauvaise direction. Ne coupez pas le tenant.

L'arbre devrait entamer sa chute à mesure que la coupe d'abattage se rapproche du tenant. Interrompez immédiatement la coupe si l'arbre semble ne pas tomber dans la direction choisie ou s'il pourrait basculer vers l'arrière et coincer la chaîne. Utilisez des coins en bois, en plastique ou en aluminium pour ouvrir la coupe d'abattage et faire chuter l'arbre dans le sens choisi. Dès que l'arbre entame sa chute, retirez la tronçonneuse de la coupe, arrêtez le moteur et déposez la tronçonneuse. Retirez-vous de la zone d'abattage dans le sens prévu. Veillez à la chute de branchages et conservez une station stable.

## Ebranchage

L'ébranchage consiste à couper les branches d'un arbre abattu. Laissez les branches inférieures pour maintenir le tronc à une certaine distance du sol. Coupez les petites branches en une coupe comme indiqué sur la Fig. C. Coupez par le bas les branches sous tension pour éviter le pincement de la chaîne.



## Débitage

Le débitage consiste à découper un rondin en plusieurs morceaux. Il est important de conserver une position stable et de répartir le poids du corps sur les deux pieds. Si possible, soulevez le tronc au moyen de branches, de rondins ou de cales. Suivez les instructions élémentaires de sciage.

Si le tronc est supporté sur toute sa longueur comme dans la Fig. D, la coupe se fera par le dessus (coupe par le dessus).

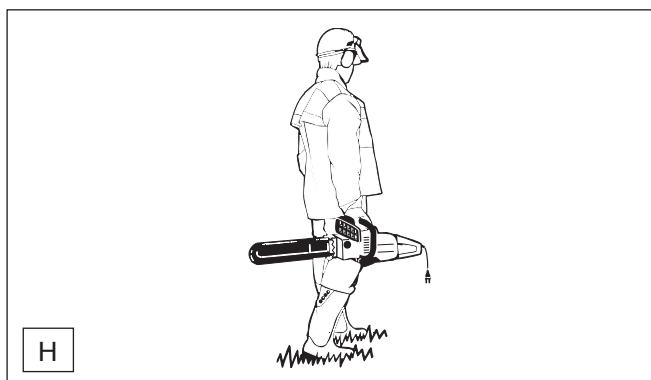
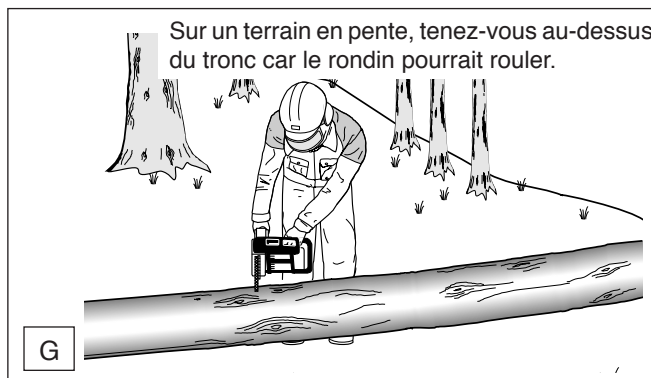
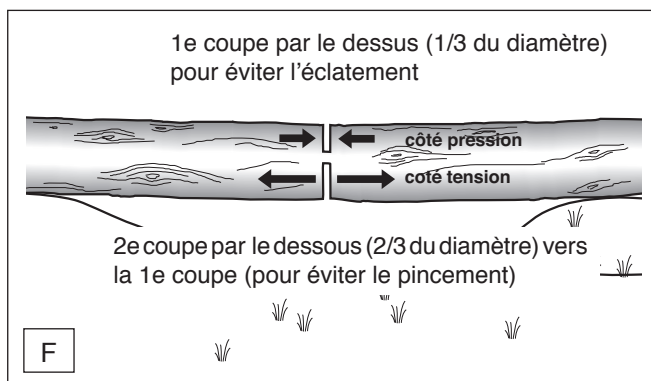
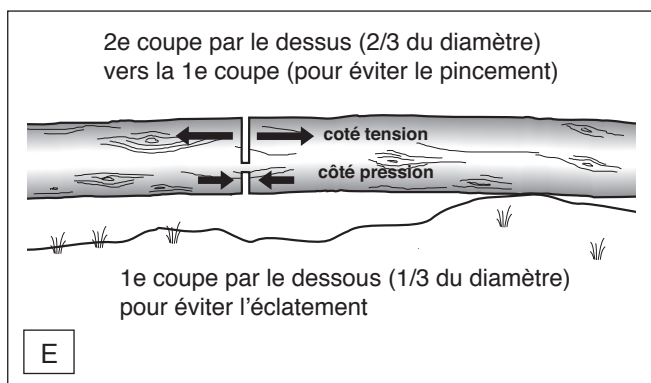
Si le tronc est supporté par l'une de ses extrémités seulement, Fig. E, coupez sur 1/3 du diamètre par le dessous (coupe par le dessous). Terminez ensuite la coupe par le dessus.

Si le tronc est supporté par ses deux extrémités, Fig. F, coupez sur 1/3 du diamètre par le dessus et terminez la coupe par les 2/3 inférieurs.

Si le débitage s'effectue sur un terrain en pente, restez toujours au-dessus comme indiqué dans la Fig. G. Pour les coupes de sectionnement, relâchez la pression sur la tronçonneuse avant de terminer la coupe sans relâcher la prise des mains sur les poignées. Ne laissez pas la chaîne entrer en contact avec le sol. Une fois la coupe achevée, attendez l'immobilisation de la chaîne avant de retirer la tronçonneuse. Arrêtez toujours le moteur avant de vous déplacer d'arbre en arbre.

## Transport de l'outil

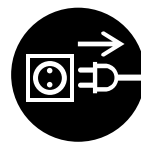
Transportez l'outil débranché en le portant par la poignée avant, le doigt retiré de l'interrupteur. Utilisez la protection de chaîne pour recouvrir le guide et la chaîne.



## TRAVAUX DE MAINTENANCE

### Affûtage de la chaîne

Porter absolument des gants de production et débrancher la fiche de contact lorsque des travaux sont effectués à la chaîne!



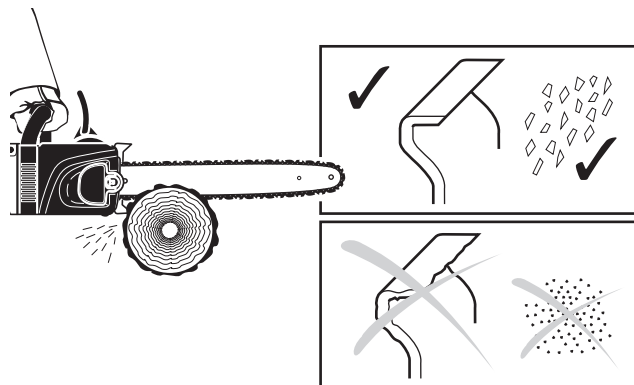
#### La chaîne de sciage doit être affûtée lorsque:

- les copeaux deviennent farineux en sciant du bois humide.
- la chaîne, tout en exerçant une forte pression, ne „tire“ que péniblement dans le bois.
- les arêtes de coupe sont visiblement endommagées.
- le dispositif de sciage gauchit dans le bois latéralement vers la gauche ou la droite. Ceci est dû un affûtage irrégulier de la chaîne de sciage ou d'un endommagement d'un côté.

**Important: affûter souvent, sans enlever de trop de matériau!**

Lors d'un simple affûtage, il suffit souvent de 2 à 3 coups de lime.

Après avoir effectué soi-même plusieurs affûtages, faire affûter la chaîne à l'atelier spécialisé.



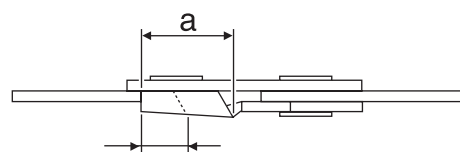
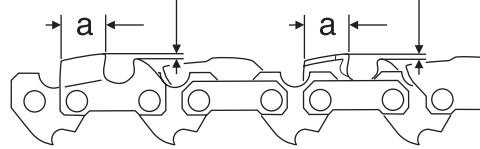
#### Critères d'affûtage:

##### ATTENTION:

**N'utiliser que des chaînes et guide-chaîne permis pour cette tronçonneuse (voir extrait de la liste de pièces de rechange)!**

- Toutes les dents de rabotage doivent avoir la même longueur (dimension a). Des dents de rabotage de hauteur différente signifient une marche dure de la chaîne et peuvent provoquer des ruptures de chaîne!
- Longueur minimale de dent de rabotage: 3 mm (0.11"). Ne pas raffûter la chaîne de sciage lorsque la longueur minimale de dent de rabotage est atteinte. Une nouvelle chaîne de sciage doit être alors montée (voir „extrait de la liste des pièces de rechange“ et chapitre „Nouvelle chaîne de sciage“).
- L'écart entre le limiteur de profondeur (nez rond) et l'arête de coupe détermine l'épaisseur du copeau.
- Les meilleurs résultats de coupe sont obtenus avec une distance du limiteur de profondeur de 0,64 mm (.025").

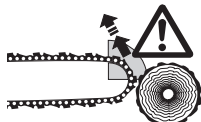
0,64 mm (.025")      0,64 mm (.025")



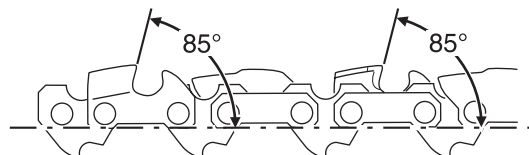
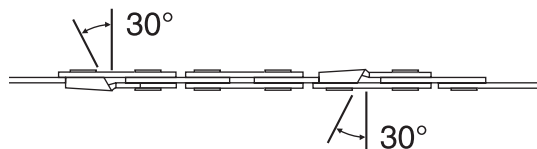
min.  
3 mm (0.11")

##### ATTENTION:

**Une distance trop grande augmente le danger d'un choc de recul!**



- L'angle d'affûtage de 30° doit être absolument identique pour toutes les dents de rabotage. Des angles différents provoquent une marche irrégulière et rude de la chaîne, augmentent l'usure et aboutissent à des ruptures de chaîne!
- L'angle d'arasement de la dent de rabotage de 85° s'obtient par la profondeur de pénétration de la lime ronde. Si la lime prescrite est guidée correctement, l'angle d'arasement correct s'obtient par lui-même.

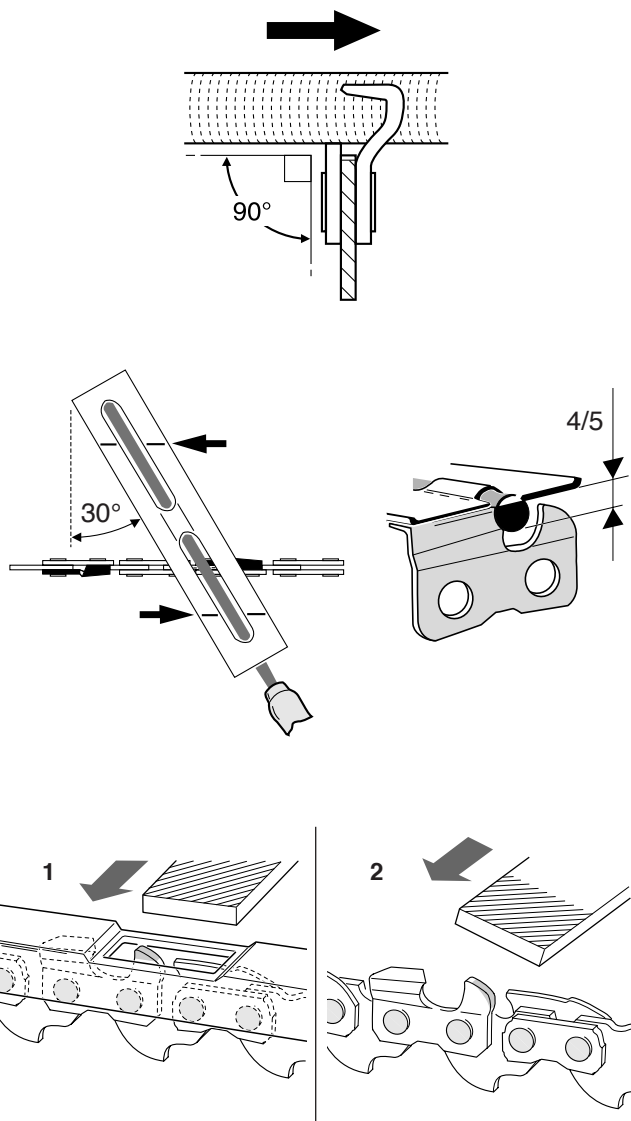


A



### Lime et guidage de la lime

- Pour affûter la lime, il faut utiliser un porte-lime spécial avec une lime ronde de chaîne de sciage  $\varnothing$  4,0 mm. Les limes rondes normales ne sont pas appropriées. Numéro de commande, voir accessoires.
- La lime ne doit attaquer que lors de la passe en avant (flèche). Lors du retour, relever la lime du matériel.
- La dent de rabotage la plus courte est affûtée la première. La longueur de cette dent est alors la mesure type pour toutes les autres dents de rabotage de la chaîne de sciage.
- Conduire la lime montré sur la illustration.



- Le porte-lime facilite le guidage de la lame, il porte des repères pour l'angle d'affûtage correct de  $30^\circ$  (orienter les repères parallèlement à la chaîne de scie) et limite la profondeur de pénétration ( $4/5$  du diamètre de la lime). Voir accessoires pour le n° de commande.

- A la suite du nouvel affûtage, vérifier la hauteur du limiteur de profondeur avec la jauge de mesure pour chaîne. Voir accessoires pour le n° de commande.
- Enlever avec la lime plate spéciale (1) tout dépassement, même le moindre.
- Arrondir à nouveau le limiteur de profondeur à l'avant (2).

B

### Nettoyer le guide-chaîne Regraisser l'étoile de déviation

#### ATTENTION! Porter impérativement des gants de protection!

Les surfaces de roulement du guide-chaîne doivent être régulièrement vérifiées pour voir si elles ne sont pas endommagées et nettoyées avec un outillage adapté.

En cas d'utilisation intense de la tronçonneuse électrique, il est nécessaire de regraisser régulièrement (1 x par semaine) le palier de l'étoile de déviation. Nettoyer **avec précaution** le perçage de 2 mm sur la pointe du guide-chaîne avant le graissage et y presser une faible quantité de graisse polyvalente.

La graisse polyvalente et la pompe à graisse sont disponibles en option.

Graisse polyvalente  
Pompe à graisse

(n° de commande 944 360 000)  
(n° de commande 944 350 000)

C



## Nouvelle chaîne de sciage

### ATTENTION:

N'utiliser que des chaînes et guide-chaîne permises pour cette tronçonneuse (voir extrait de la liste de pièces de rechange)!

Avant de monter une nouvelle chaîne de sciage, il faut vérifier l'état de la roue à chaîne (1).

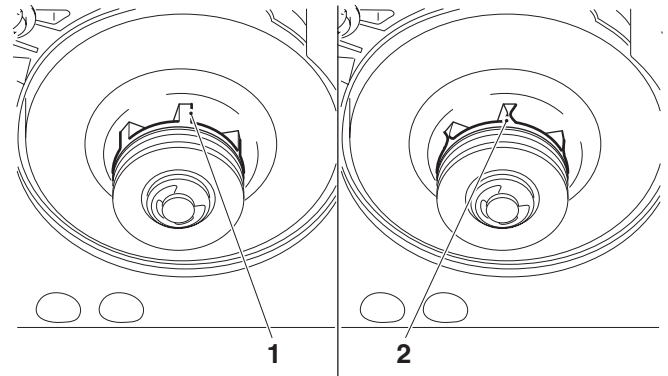
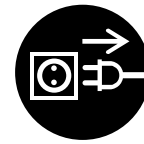
### ATTENTION:

Des roues à chaîne usées (2) provoquent des détériorations sur une nouvelle chaîne de sciage et doivent impérativement être remplacées.

Le remplacement de la roue à chaîne exige une formation spécialisée et doit être effectué par un atelier spécialisé DOLMAR équipé d'un outillage spécial.



## SERVICE

**D**

## Vérifier / remplacer les balais de charbon

### ATTENTION:

Contrôler les balais de charbon à intervalles réguliers. Une entaille sur le balai de charbon indique la limite d'usure.

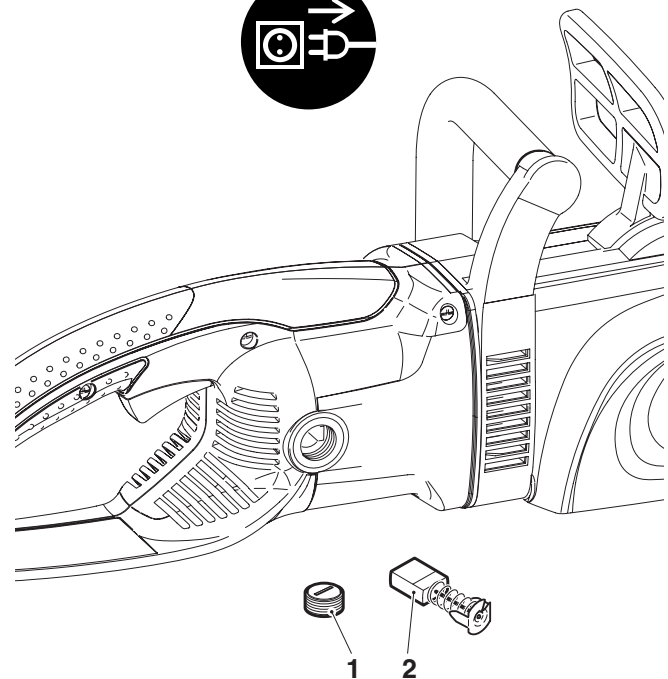
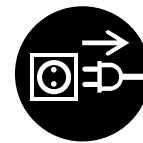
### IMPORTANT:

Le balai de charbon est très fragile. Veiller à ce qu'il ne tombe pas. En enlevant le balai de charbon, repérer impérativement son emplacement, étant donné que le balai de charbon est rodé sur le rotor.

- Dévisser le couvercle (1) avec la clé combinée et retirer le balai de charbon.
- Si la limite d'usure n'est pas encore atteinte, remettre le balai de charbon (2) à la même position et visser le couvercle (1).
- Faire fonctionner la tronçonneuse pendant une courte durée (1 minute env.) de manière à ce que les balais de charbon se réadaptent.

**ATTENTION:** Vérifier maintenant le frein de ralentissement (cf. page 36). Si la chaîne de sciage ne s'arrête pas en l'espace de deux secondes, réactionner la tronçonneuse pendant une courte durée jusqu'à ce que le contrôle soit en ordre.

**IMPORTANT:** Après avoir monté des nouveaux balais de charbon, faire marcher tronçonneuse pendant 5 minutes environ et vérifier également le frein de ralentissement.

**E**

## Recherche de pannes

Panne	Système	Système	Cause
tronçonneuse ne fonctionne pas	complet	moteur électr. ne fonctionne pas	sans alimentation électr., câble défectueux frein de chaîne est déclenché fusible de secteur déclenché
performance insuffisante	balais	puissance	balais de charbon usés
pas de graissage de la chaîne	réservoir d'huile, pompe d'huile	pas d'huile de chaîne sur la chaîne de sciage	réservoir d'huile vide, rainure d'alimentation d'huile encrassée filtre à huile de chaîne bouché
Frein de chaîne	frein	chaîne de sciage ne s'arrête pas brusquement	bande de frein usée
Frein de ralentissement	frein	chaîne de sciage marche à vide	balais de charbon usés

## Instructions d'entretien et de maintenance périodiques

De manière à garantir une longue durée de vie et le plein fonctionnement des dispositifs de sécurité et à éviter des détériorations, il faut effectuer régulièrement les travaux de maintenance décrits ci-dessous. Les réclamations ne pourront être reconnues comme telles si ces travaux ont été effectués régulièrement et correctement. Des accidents risquent de se produire en cas de non-observation. L'utilisateur de la tronçonneuse électrique doit seulement effectuer les travaux d'entretien et de maintenance étant décrits dans cette instruction d'emploi. Tous les autres travaux devront être effectués par un atelier qualifié DOLMAR.

Page

<b>Généralités</b>	tronçonneuse électr. compl. carter en plastique  chaîne guide-chaîne  pignon frein de chaîne Frein de ralentissement	nettoyage extérieur régulier.  vérifier s'il y a des cassures ou fissures. En cas d'endommagement faire réparer immédiatement par un atelier qualifié. réaffûter régulièrement. échanger à temps. tourner après un certain temps pour user la surface de roulement d'une façon régulière. échanger à temps. faire échanger à temps par l'atelier qualifié. faire contrôler régulièrement par un atelier qualifié. aire contrôler régulièrement par un atelier qualifié.	
<b>Avant chaque mise en marche</b>	chaîne guide-chaîne  lubrification de la chaîne frein de chaîne Frein de ralentissement interrupteur de mise en marche/ d'arrêt câble de raccordement capot de fermeture pour réservoir d'huile	vérifier s'il y a des endommagements, vérifier l'acuité. contrôler la tension de la chaîne. contrôler si défectueux, supprimer des bavures le cas échéant. test de fonctionnement. test de fonctionnement. test de fonctionnement.  test de fonctionnement. si défectueux faire échanger par l'atelier qualifié.  vérifier l'étanchéité.	39-40 32  36 36 36  35
<b>Après chaque mise hors service</b>	guide-chaîne logement du guide-chaîne	nettoyer le perçage d'entrée d'huile. nettoyer, surtout la rainure de guidage d'huile.	34 34
<b>Placement</b>	logement du guide-chaîne Chaîne et railguide  tronçonneuse électrique compl.	vider. démonter, nettoyer, lubrifier légèrement. nettoyer la rainure de guidage du guide-chaîne. placer dans un endroit sûr et sec. après un placement d'une durée plus longue la faire contrôler par un atelier qualifié (l'huile restant peut devenir résineuse et encombrer la soupape de la pompe à huile).	34

## Service après vente de l'atelier, pièces de rechange et garantie

### Entretien et réparations

L'entretien et la réparation de moteurs électriques modernes ainsi que de sousgroupes relevant du domaine de la sécurité exigent une qualification spéciale et un atelier ayant des outils spéciaux et des appareils de contrôle spécifiques.

Tous les travaux non décrits dans ce manuel doivent être effectués par un atelier spécialisé DOLMAR.

Le spécialiste dispose de la qualification demandée, de l'expérience et de l'équipement pour pouvoir vous proposer la meilleure solution à tout problème à un prix favorable et il fera tout le possible pour vous aider.

La garantie s'annulera en cas de tentatives de réparations effectuées par des tiers ou des personnes non autorisées.

### Pièces de rechange

Le fonctionnement fiable et la sécurité de votre appareil dépendent également de la qualité des pièces de rechange utilisées. Utiliser exclusivement des pièces de rechange DOLMAR, signalées par



Seules les pièces d'origine proviennent de la chaîne de production de l'appareil et vous assurent donc la qualité optimale du matériau, du respect des dimensions et du fonctionnement et une sécurité irréprochables.

Vous recevez les pièces de rechange et les accessoires originales chez votre distributeur qualifié. Il dispose également des listes des pièces de rechange nécessaires pour trouver les numéros correspondant aux pièces de rechange demandées et il est toujours au courant quant aux améliorations de détail et aux nouveautés concernant la gamme des pièces de rechange.

Veillez tenir compte que l'utilisation des pièces n'étant pas des pièces d'origine DOLMAR exclut toute garantie de la part de la société DOLMAR.

### Garantie

DOLMAR garantit une qualité irréprochable et supporte les frais pour une amélioration par remplacement des pièces défectueuses dans le cas de défauts de matériel ou de fabrication qui se présentent dans le délai de garantie après le jour de vente. Veuillez noter que dans quelques pays des conditions de garantie spécifiques sont valables. En cas de doute, contactez votre distributeur. C'est lui en tant que distributeur du produit qui est responsable de la garantie.

Veillez comprendre que toute garantie est exclue dans les cas suivants:

- Inobservance des instructions d'emploi.
- Omission de travaux d'entretien et de nettoyage nécessaires.
- Usure par usage normal.
- Surcharge évidente due à un franchissement permanent des limites supérieure de puissance.
- Utilisation de chaînes et de guides-chaînes non admis.
- Utilisation de longueurs de guides-chaînes ou de chaînes non admises.
- Utilisation en employant la force, utilisation inappropriée, abus ou accident.
- Endommagements de surchauffe dûs à une alimentation en air de refroidissement pollué au carter.
- Utilisation de pièces de réchange inappropriées ou de pièces non originales DOLMAR si elles sont à l'origine de l'endommagement.
- Utilisation de carburants inappropriés ou ayant été stockés trop longtemps.
- Endommagement dûs aux conditions d'utilisation prescrites par le distributeur louant l'appareil.
- Opérations de la part de personnes non qualifiées ou des essais de réparation inappropriés.

Les travaux de nettoyage, d'entretien ou d'ajustage ne sont pas reconnus en tant que prestations de garantie. Tous les travaux de garantie doivent être effectués par votre distributeur DOLMAR.

**Caractéristiques techniques**

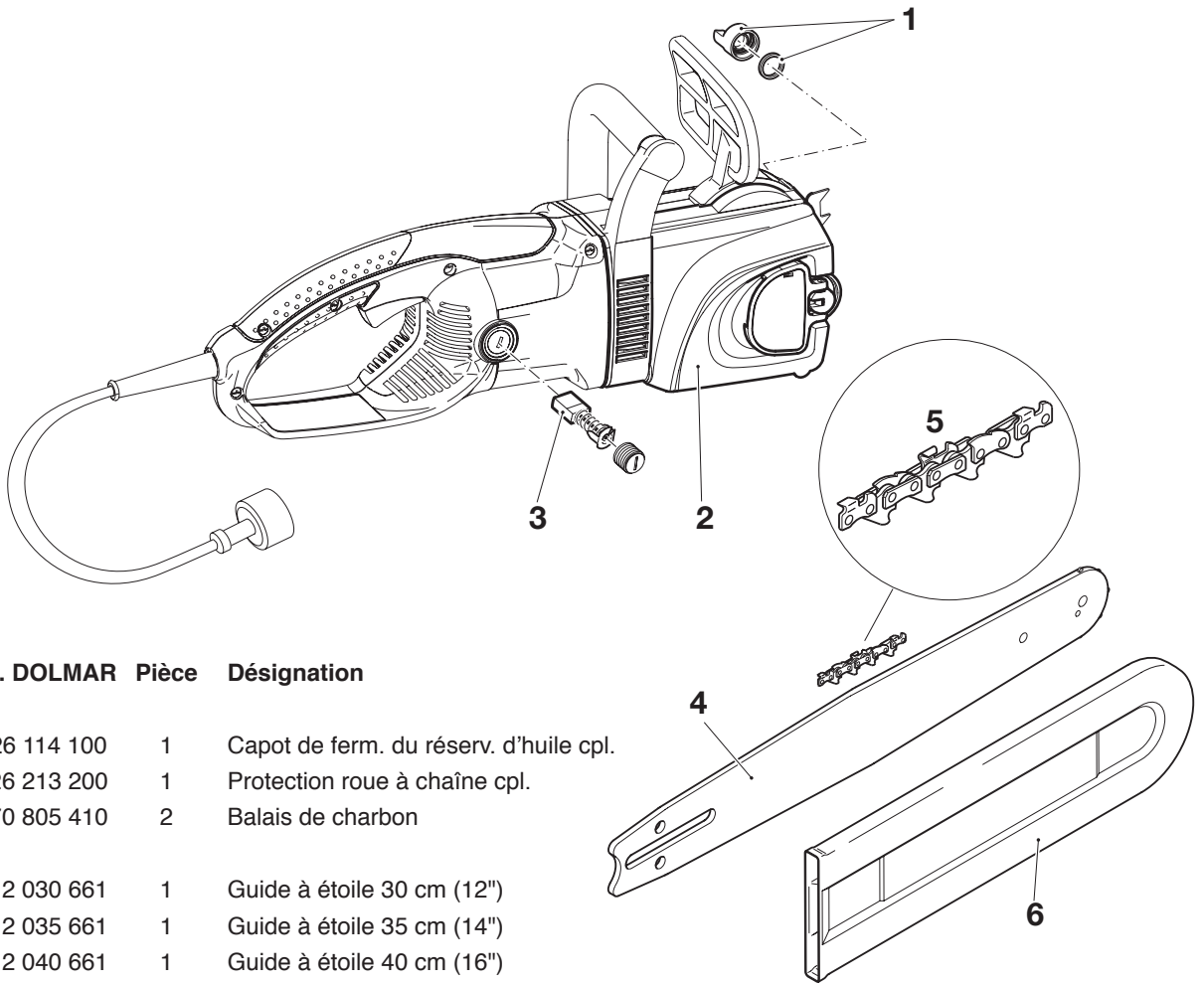
	<b>ES-153 A</b>	<b>ES-163 A</b>	<b>ES-173 A</b>
Type de chaîne	092		
Pas de chaîne inch	3/8"		
Longueur de coupe inch / cm	12" / 30	14" / 35	16" / 40
Vitesse max. de la chaîne m/min	2.600 FPM (800 m/min)		
Volume du réservoir d'huile floz / ml	4,73 / 140		
Transmission d'énergie	directe		
Protection contre le sur charge de moteur	électrique		
Frein de chaîne	manuel		
Frein de ralentissement	électrique		
Poids (sans guide et chaîne) lbs / kg	9,7 / 4,4		

## Extrait de la liste de pièces de rechange

Utiliser exclusivement des pièces de rechange DOLMAR. Votre atelier qualifié DOLMAR est responsable de la réparation et de l'échange d'autres pièces.

ES-153 A, 163 A, 173 A

**DOLMAR**

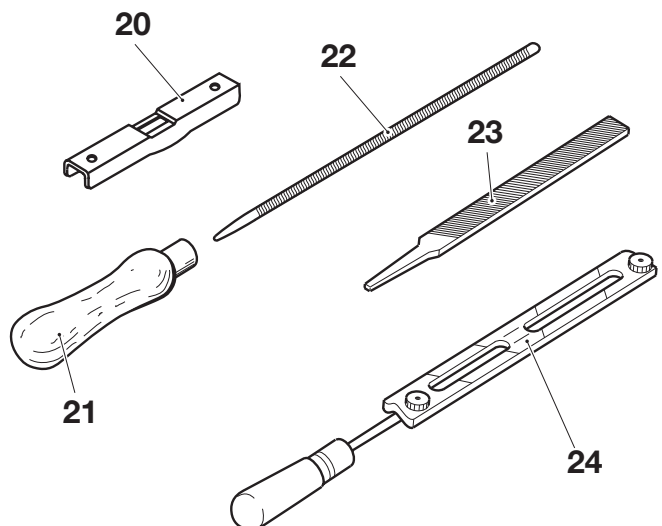


Pos.	No. DOLMAR	Pièce	Désignation
1	226 114 100	1	Capot de ferm. du réserv. d'huile cpl.
2	226 213 200	1	Protection roue à chaîne cpl.
3	970 805 410	2	Balais de charbon
4	412 030 661	1	Guide à étoile 30 cm (12")
4	412 035 661	1	Guide à étoile 35 cm (14")
4	412 040 661	1	Guide à étoile 40 cm (16")
5	528 092 046	1	Chaîne 3/8", 30 cm (12")
5	528 092 052	1	Chaîne 3/8", 35 cm (14")
5	528 092 056	1	Chaîne 3/8", 40 cm (16")
6	952 010 130	1	Enveloppe protect. (30-35 cm, 12"-14")
6	952 010 140	1	Enveloppe protect. (40 cm, 16")
-	226 211 050	1	Filtre à huile de chaîne (en feutre)
-	226 211 040	1	Rondelle en éventail (bague de serrage)

### Accessoires

(Ne sont pas livrées avec la tronçonneuse électrique)

20	953 100 090	1	Jauge de chaîne 3/8"
21	953 004 010	1	Manche de lime
22	953 003 090	1	Lime ronde ø 4 mm
23	953 003 060	1	Lime plate
24	953 030 010	1	Porte-lime, cpl. 3/8"



## ¡Muchas gracias para su confianza!

Felicitación para su nueva motosierra eléctrica de DOLMAR. Somos convencidos que Vd. estará contento con esta máquina moderna.

Motosierras eléctricas DOLMAR se distinguen por robustos motores de alto rendimiento y velocidades de cadena muy altas posibilitan una potencia de corte sobresaliente. Son equipadas con amplios dispositivos de seguridad que responden al estado actual de la técnica, son ligeros y manejables, y se puede ponerlas en marcha inmediatamente en todas las lugares que tienen una conexión a la red eléctrica.

Para poder garantizar el funcionamiento y la potencia óptimos de su nueva motosierra eléctrica y para su propia seguridad le pedimos a Vd. prestar atención a lo siguiente:



**Lea este manual de instrucciones y de seguridad cuidadosamente y compréndalo antes de poner en marcha por primera vez la motosierra eléctrica. ¡Observe estrictamente las advertencias y las instrucciones de seguridad! ¡La no observación de estas instrucciones puede ocasionar lesiones con peligro de muerte!**

**Esta sierra eléctrica ha sido clasificada como una sierra de clase 2C por la CSA. Está diseñada para el uso esporádico por propietarios de casas o torres y en acampadas, así como para aplicaciones generales tales como vaciar, podar, cortar leña, etc. No está diseñada para ser utilizada de manera prolongada. El uso prolongado puede provocar al usuario problemas de circulación en las manos a causa de las vibraciones. En estos casos se recomienda utilizar una sierra con función antivibración.**

Indice	Página
<b>Envase</b> .....	46
<b>Extensión del suministro</b> .....	47
<b>Símbolos</b> .....	47
<b>INSTRUCCIONES IMPORTANTES DE SEGURIDAD</b> ..	48-50
Uso del cable de prolongación .....	50
<b>Indicar al pedir piezas de repuesto</b> .....	51
<b>PUESTA EN MARCHA</b>	
Montaje del riel/de la cadena de sierra .....	52-53
Tensar la cadena de sierra .....	53
Controlar la tensión de la cadena .....	54
Freno de cadena.....	54
Aceite para la cadena de sierra .....	55
Rellenar el depósito de aceite .....	56
Conectar la electrosierra a la red eléctrica .....	57
Conectar el motor .....	57
Controlar el freno de cadena .....	58
Controlar el freno de marcha en inercia .....	58
Controlar el engrase de cadena .....	58
<b>Tala de un árbol</b> .....	59-60
<b>MANTENIMIENTO</b>	
Reafilarse la cadena de sierra .....	61-62
Limpiar guía de la cadena, lubricar estrella de desviación .....	62
Nueva cadena de sierra .....	63
Recambiar escobillas de carbón.....	63
<b>Localización de averías</b> .....	64
<b>Instrucciones para el mantenimiento regular</b> .....	64
<b>Servicio, piezas de repuesto y garantía</b> .....	65
<b>Datos técnicos</b> .....	66
<b>Extracto de la lista de piezas de repuesto</b> .....	67
Accesorios .....	67

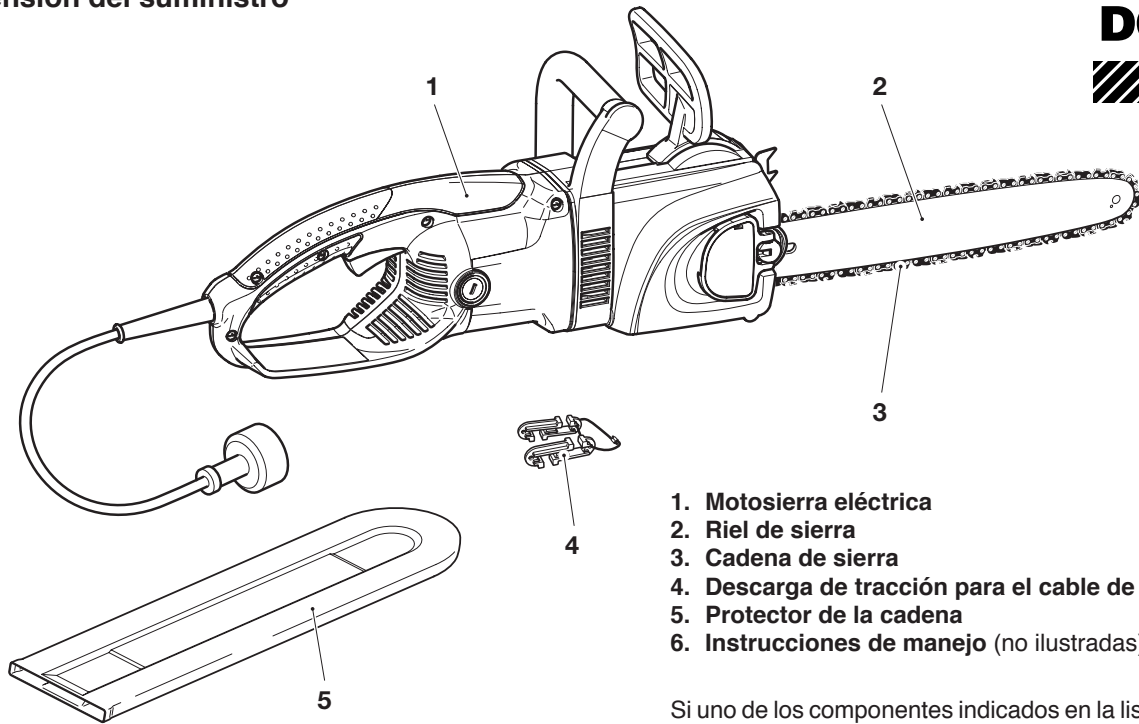
## Envase

Su motosierra eléctrica DOLMAR se encuentra en un cartonaje para protegerla durante el transporte.

Cartonajes son materia primas que se pueden reciclar (regeneración de papelote) o utilizar nuevamente.







1. Motosierra eléctrica
2. Riel de sierra
3. Cadena de sierra
4. Descarga de tracción para el cable de conexión
5. Protector de la cadena
6. Instrucciones de manejo (no ilustradas)

Si uno de los componentes indicados en la lista no sea incluido en la extensión del suministro, por favor, ponerse en contacto con su vendedor.

### Símbolos

Los símbolos en estas instrucciones de manejo tienen las significaciones siguientes:

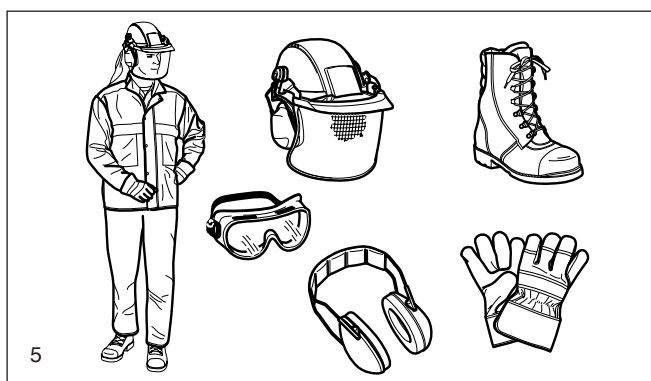
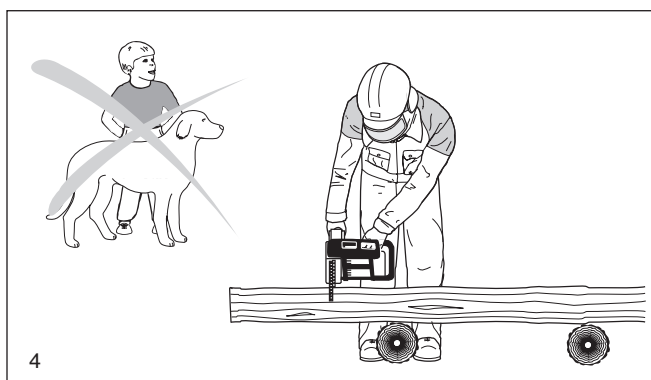
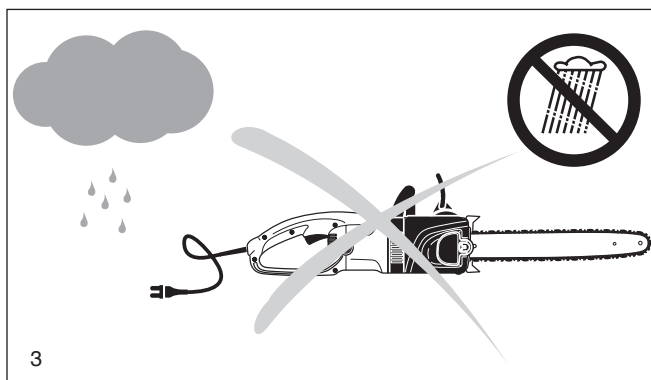
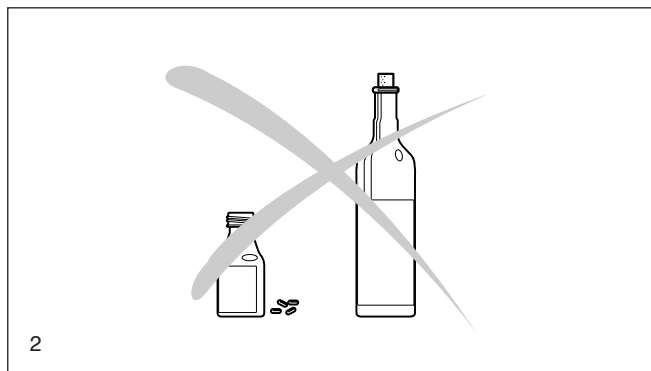
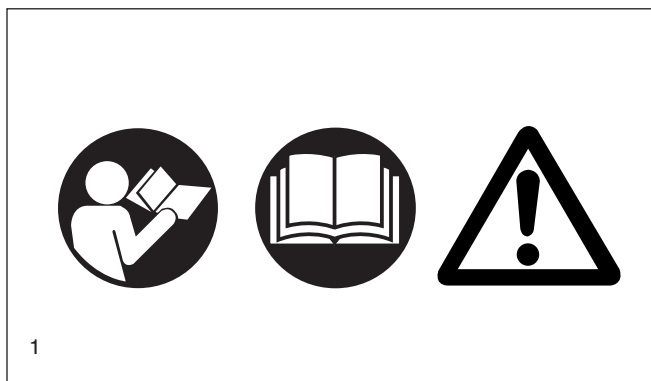
	<b>¡Leer las instrucciones de manejo y observar las advertencias e instrucciones de seguridad!</b>		<b>Máximo largo de corte admisible</b>
	<b>¡Cuidado y atención especiales!</b>		<b>¡Llevar guantes protectores!</b>
	<b>¡Usar del casco de seguridad, la protección de ojos y del oído!</b>		<b>¡Preservar de humedad!</b>
	<b>¡Desconectar de la red!</b>		<b>Sentido de giro de la cadena de la sierra</b>
	<b>¡Desconectar de la red si el cable tiene un daño!</b>		<b>Doble aislamiento protector</b>
	<b>Freno de cadena, suelto</b>		<b>Aceite para cadenas de sierra</b>
	<b>Freno de cadena, activado</b>		<b>Los primeros auxilios</b>
	<b>¡Repulsiones (kickback)! </b>		<b>Reciclaje</b>
	<b>¡Prohibido!</b>		<b>A</b>
			<b>B</b>
			<b>C</b>

- A) Máximo ángulo de repulsión computado (CKA) sin usar el freno de la cadena y usando las combinaciones recomendadas de guía y cadena.
- B) Debe evitarse todo contacto de la punta de la guía con cualquier objeto. El contacto de la punta puede ocasionar un fuerte movimiento descontrolado de la guía, hacia arriba o hacia abajo, originando heridas graves o mortales.
- C) Al usar la motosierra, esta debe asirse siempre con las dos manos.

**INSTRUCCIONES IMPORTANTES DE SEGURIDAD**  
**ADVERTENCIA: AL USAR UNA MOTOSIERRA ELÉCTRICA DEBERÁN OBSERVARSE SIEMPRE LAS PRECAUCIONES DE SEGURIDAD PARA REDUCIR EL RIESGO DE INCENDIO, ELECTROCUCIÓN Y LESIONES, INCLUYENDO LOS SIGUIENTES:**

**LEA TODAS LAS INSTRUCCIONES (1)**

- **Mantenga despejada el área de trabajo**  
Los espacios desordenados aumentan el riesgo de sufrir lesiones. No comience a cortar antes de haber despejado el área de trabajo, de haberse colocado un calzado firme y de haber planeado un camino de retirada del árbol que se derrumba.
- **Ponga atención en el entorno de trabajo**  
Ponga extremo cuidado al cortar ramas y vástagos, ya que este material de escaso diámetro puede engancharse en la cadena de la sierra, empujándola hacia atrás o desequilibrando al usuario. No opere con la sierra en un árbol, salvo que esté especialmente entrenado para hacerlo. Al cortar ramas que están bajo tensión, esté alerta para eludir ramas que podrían saltar en dirección al operador una vez que se relaje la tensión en las fibras de la madera. No exponga la motosierra a la lluvia (3). No use la motosierra en sitios húmedos o mojados. No use la motosierra en presencia de líquidos o gases inflamables.
- **Evite la electrocución**  
Evite el contacto del cuerpo con superficies puestas a tierra, como tuberías de metal o cercas de alambre.
- **Mantenga lejos a los niños**  
No permita que visitantes toquen la motosierra o el cable de prolongación. Todos los visitantes deben mantenerse apartados del área de trabajo (4).
- **Almacenamiento de la motosierra fuera de funcionamiento**  
Cuando no se utilicen, las motosierras deben guardarse en un sitio seco y elevado o cerrado con seguro, fuera del alcance de los niños. Para almacenar la motosierra use una funda o una caja de transporte.
- **No fuerce la motosierra**  
El equipo hará el trabajo mejor, y con menos probabilidad de causar riesgos de lesiones, a la potencia para la que ha sido diseñado.
- **Use la herramienta indicada**  
Corte madera solamente. No use la motosierra para fines para los que no se ha diseñado; por ejemplo, no la utilice para cortar plásticos o material de albañilería u otros materiales de construcción que no sean madera.
- **Vístase adecuadamente**  
No use ropa suelta ni joyas, ya que podrían quedar atrapadas en las piezas en movimiento. Para trabajos en exteriores se recomiendan guantes de goma y zapatos antideslizantes. Recoja cabellos largos con una gorra u protección similar.
- **Use antiparras de seguridad**  
Use también zapatos de seguridad, prendas ceñidas, guantes de protección y casco de seguridad.
- **Portar la motosierra**  
Para portar la motosierra sujétela con el asidero frontal, con la motosierra apagada, el dedo lejos del interruptor, la guía de la sierra y la cadena de la sierra, cubierta con la protección de la cadena, orientados hacia atrás.
- **Mantenga la motosierra cuidadosamente**  
Inspeccione periódicamente los cables de la motosierra, y si estuvieran dañados, hágalos reparar por un taller autorizado.



- Mantenga el cable siempre apartado de la motosierra y del operador. Nunca porte la motosierra sujetando el cable ni tire del mismo para desconectarlo del enchufe. Mantenga el cable libre de aceite y cantos afilados. Inspeccione periódicamente los cables de prolongación y reemplácelos si estuvieran dañados. Mantenga las herramientas afiladas y limpias para asegurar una prestación mejor y más segura. Observe las instrucciones para lubricar y recambiar accesorios. Mantenga los asideros secos, limpios y libres de grasas y aceites.

- **Desconecte la motosierra**

Desconecte la motosierra cuando no la utilice, antes de realizar el mantenimiento y antes de recambiar accesorios y repuestos, como cadena o protección (6).

- **Cables de prolongación para exteriores**

En exteriores, utilice solamente los cables de prolongación diseñados para ese uso y marcados como tales.

- **Manténgase alerta**

Ponga atención en lo que está haciendo. Use el sentido común. No utilice la motosierra si está cansado. Cuando la motosierra está en funcionamiento, mantenga lejos de la misma todas las partes de su cuerpo. Antes de poner en marcha la motosierra, asegúrese de que la cadena de la sierra no esté en contacto con ningún objeto.

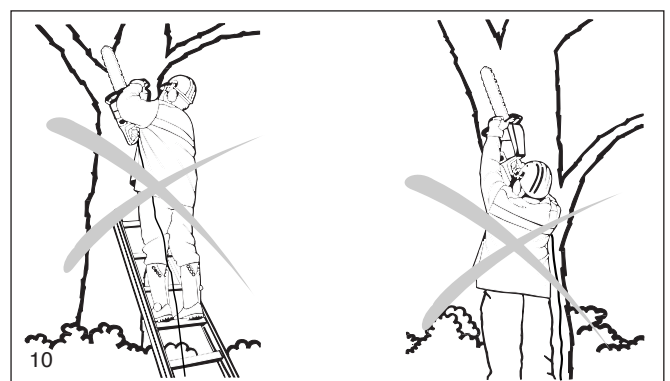
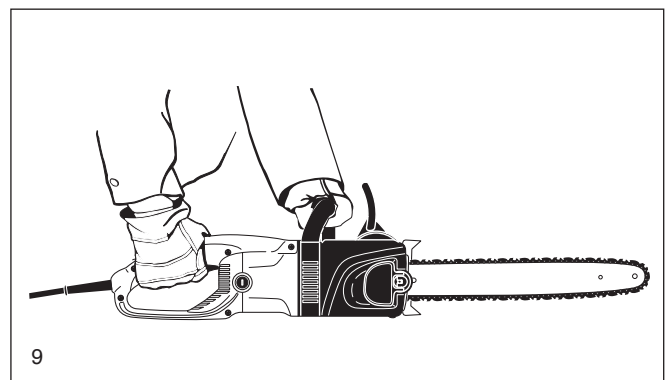
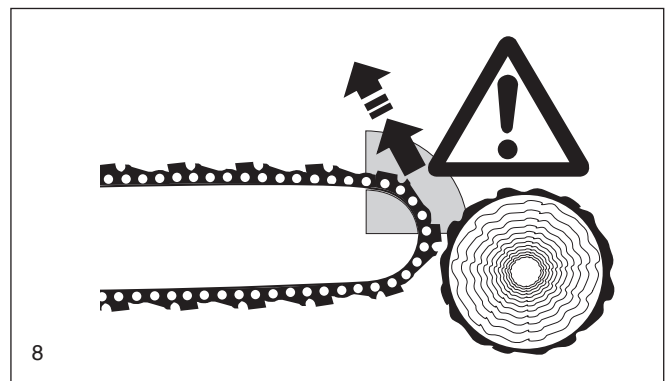
- **Revise piezas dañadas**

Antes de seguir usando la motosierra deberán inspeccionarse detenidamente las protecciones u otras partes por si estuvieran dañadas, a efectos de determinar que seguirán trabajando adecuadamente y que cumplirán con la función para la que han sido destinadas. Revise el alineamiento de piezas móviles, la sujeción de piezas móviles, las eventuales roturas de partes, el montaje y todas las demás condiciones que pudieran afectar la operación. Una protección u otra parte dañada deben ser adecuadamente reparadas o reemplazadas por un taller autorizado, salvo que este manual de instrucciones contenga alguna otra indicación. Los interruptores dañados deben ser reemplazados en un taller autorizado. No use la motosierra si el interruptor no la enciende ni la apaga. No utilice una motosierra dañada, mal ajustada o montada de forma incompleta y no segura (7). Asegúrese de que la motosierra detenga su marcha cuando se suelta el acelerador.

- **Evite la repulsión**

**ADVERTENCIA:** La repulsión puede producirse cuando la punta de la guía toma contacto con un objeto (8) o cuando la madera se cierra y atrapa a la motosierra en el corte. Un contacto con la punta puede, en algunos casos, provocar una reacción inversa en una fracción de segundo, impulsando la guía de la sierra rápidamente hacia atrás, en dirección al operador. Cualquiera de estas reacciones le pueden hacer perder el control de la sierra, ocasionando serias lesiones al usuario. A efectos de minimizar la repulsión deben tomarse las siguientes precauciones:

- Coja siempre los mangos rodeándolos con el pulgar y el resto de dedos tal como muestra la ilustración (9). Si se utiliza un control de lubricador manual, se entregarán unas instrucciones adicionales o actualizadas con información al respecto.
- No trabaje en posición forzada o estirada.
- Mantenga siempre una posición firme y equilibrada.
- No permita que la punta de la guía tenga contacto con un tronco, rama, suelo ni otro obstáculo.
- No trabaje por encima de la altura de los hombros (10).
- Use piezas adecuadas para reducir el riesgo de repulsión, tales como cadenas de baja repulsión, frenos de cadena y guías especiales.
- Use solamente guías y cadenas especificadas por el fabricante.



**- Alimentación de corriente**

Conecte la motosierra con un voltaje correcto, es decir, asegúrese de que el voltaje suministrado sea el mismo que está especificado en la placa de identificación del equipo (11).

**- Piezas de repuesto**

Utilice para el servicio únicamente piezas de repuesto idénticas (11).

**- Clavijas polarizadas**

Para reducir el riesgo de electrocución, este equipo tiene una clavija polarizada (con un vástago más ancho que el otro). Esta clavija solamente podrá calzar en un sentido dentro de un tomacorriente polarizado. Si la clavija no calzara completamente en el tomacorriente, inviértala. Si igualmente no calzara, póngase en contacto con un electricista calificado para que instale un tomacorriente adecuado. No cambie la clavija bajo ningún concepto.

- **Use protección antirruidos durante la operación.**
- **Antes de realizar un corte de tala libere el árbol de ensuciamientos, piedras, corteza suelta, clavos, grapas y cables.**
- **Asegure el rollizo de modo que no ruede ni se mueva repentinamente durante la operación de corte.**
- **EVITE EL ARRANQUE NO INTENCIONADO. No porte la motosierra con el dedo puesto en el interruptor. Asegúrese de que el interruptor está apagado, en posición OFF, antes de conectar el equipo.**
- **Atención: No exponga esta herramienta a la lluvia (12), y desenchufe inmediatamente la clavija si el cable del equipo estuviera dañado o cortado (13).**
- **La motosierra no debe dejarse en el exterior durante la lluvia ni tampoco se debe usar cuando está húmeda o mojada.**

**ADVERTENCIA DE VOLTAJE:**

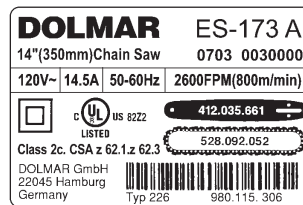
Antes de conectar el equipo a una alimentación de corriente (tomacorriente, etc.), asegúrese de que el voltaje suministrado sea el mismo que está especificado con la placa de identificación del equipo. Una fuente de energía con un voltaje superior al especificado para el equipo puede producir **SERIAS LESIONES** del usuario y dañar el equipo. Si tiene dudas, **NO CONECTE LA CLAVIJA DEL EQUIPO**. La utilización de una fuente de energía con voltaje inferior al indicado en la placa del equipo es perjudicial para el motor.

**Uso del cable de prolongación**

Si el cable de prolongación ha de usarse en exteriores, el cable debe estar marcado con el sufijo W-A después de la denominación del tipo de cable, por ejemplo, SJTW-A, para indicar que el mismo es adecuado para usar en exteriores. Use un cable lo suficientemente grueso para que transporte la corriente que su equipo consume. Un cable de grosor insuficiente causará una caída en el voltaje de la línea, provocando una pérdida de potencia y un recalentamiento. Asegúrese de que el cable de prolongación está en buenas condiciones antes de usarlo. Mantenga el cable lejos del área de corte y posícionelo de modo tal que no quede atrapado por ramas, ni tampoco durante el corte. Use el cuadro adjunto para determinar el tamaño adecuado del cable para la prolongación.

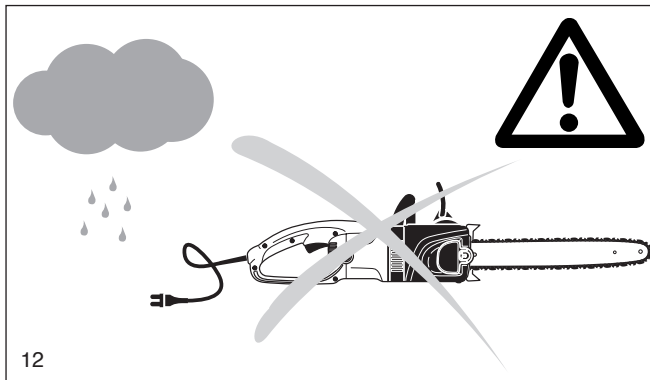
Si no puede hallar un cable de prolongación adecuado, contacte un taller autorizado de DOLMAR.

**Placa de características ES-173 A**



11

Indicar al pedir piezas de repuesto



12



13

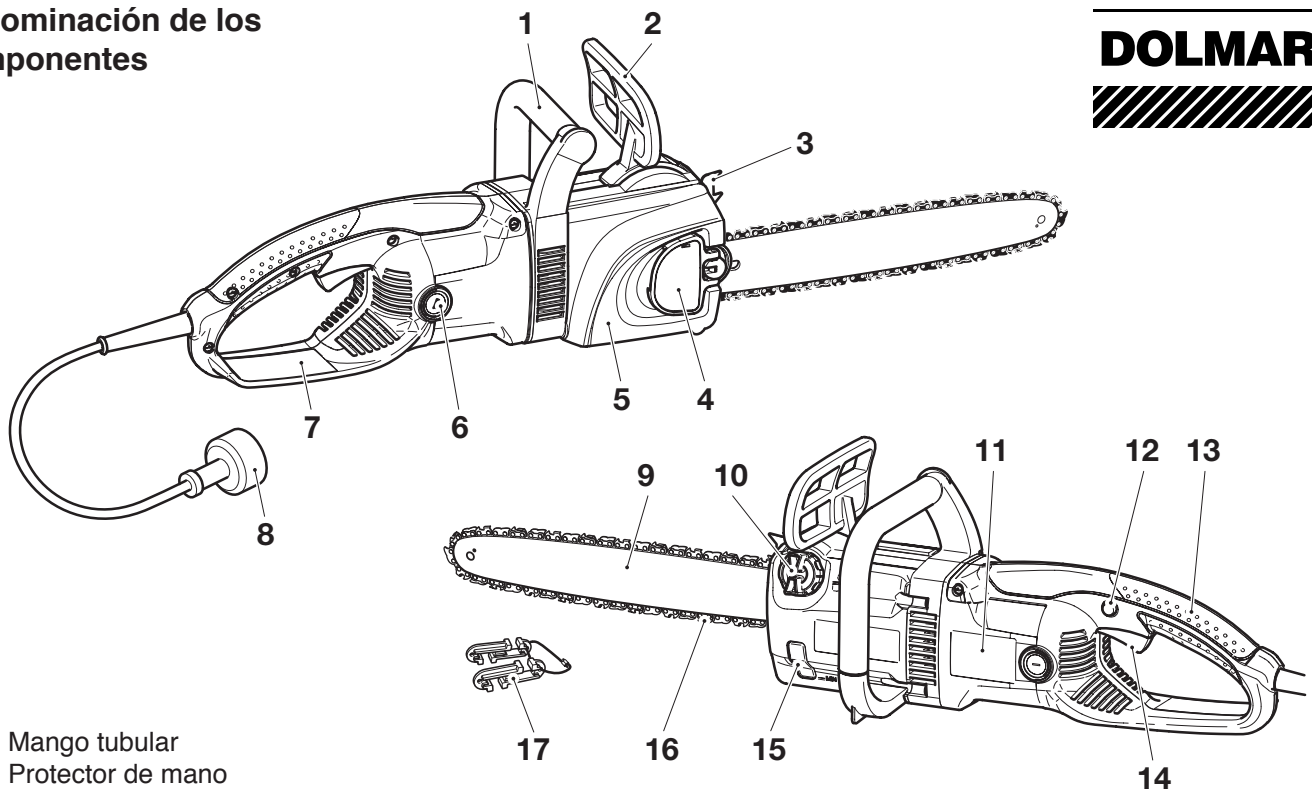
Amperaje (en placa características)	0-5.0	5.1-10.0	10.1-13.0	13.1-15.0
<b>Largo cable prolong. exter.</b>	<b>Calibre del cable (Calibre americano de cables)</b>			
25 Ft. (pies)	18	18	16	14
50 Ft. (pies)	18	16	16	14
75 Ft. (pies)	18	16	14	14
100 Ft. (pies)	16	14	12	12
125 Ft. (pies)	16	12	12	12
150 Ft. (pies)	16	12	12	-

**¡GUARDE ESTAS INSTRUCCIONES CUIDADOSAMENTE!**



## Denominación de los componentes

**DOLMAR**



- |  |  |
|--|--|
| <p>1 Mango tubular<br/>2 Protector de mano (Desbloqueador del freno de la cadena)<br/>3 Regleta dentada<br/>4 Tensor rápido de la protección de la rueda dentada para cadena<br/>5 Protector del piñon<br/>6 Tapa para escobillas de carbón<br/>7 Protector de mano trasero<br/>8 Cable con clavija<br/>9 Riel de sierra</p> | <p>10 Cierre del depósito de aceite<br/>11 Placa de características<br/>12 Botón de bloqueo<br/>13 Asidero trasero<br/>14 Interruptor<br/>15 Ventanilla para nivel de aceite<br/>16 Cadena de sierra<br/>17 Descarga de tracción para el cable de conexión</p> |
|--|--|

**Fragmentado:** División mediante corte longitudinal de un árbol talado o de un rollizo, en diferentes fragmentos.

**Freno de cadena:** Dispositivo usado para detener la cadena de la sierra.

**Cuerpo de la motosierra:** Motosierra sin cadena de sierra y sin guía de la cadena.

**Embrague** - Mecanismo para conectar y desconectar un elemento propulsado a y de una fuente energética en rotación.

**Rueda dentada:** La pieza dentada que propulsa la cadena de la sierra.

**Tala** -Proceso de cortar un árbol para derribarlo.

**Corte de derribo:** El corte final en una operación de talado, hecho del lado opuesto de la muesca de derribo.

**Asidero delantero:** El asidero en la parte anterior de la motosierra.

**Protección de manos delantera:** Una barrera estructural entre el asidero delantero y la guía, normalmente situada cerca de la posición de la mano en el asidero delantero; a veces se usa como palanca para activar un freno de cadena.

**Guía de la cadena:** Una barra con rieles que soportan y guían la cadena de la sierra.

**Repulsión:** Movimiento repentino hacia atrás o hacia arriba, o ambos, de la guía, que se produce cuando la cadena de la sierra próxima a la punta de la guía toma contacto con cualquier objeto como rollizo o rama, o cuando la madera se cierra y atrapa la cadena de la sierra dentro del corte.

**Repulsión por atasco:** Rechazo rápido de la motosierra que puede producirse cuando la madera se cierra y atasca la cadena de la sierra en movimiento dentro del corte, a lo largo de la punta de la guía.

**Repulsión rotativa:** Rápido movimiento hacia arriba y

hacia atrás de la sierra, que se puede producir cuando la cadena de la sierra en movimiento, cerca de la porción superior de la punta de la guía, se pone en contacto con algún objeto, p. ej. un rollizo o una rama. **Cadena de baja repulsión:** Cadena que reúne los requisitos de repulsión de ANSI B175.1 cuando se la ha testado con una muestra representativa de motosierras.

**Posición de corte normal:** Las posiciones adoptadas al realizar cortes de fragmentado y de tala.

**Muesca de derribo:** Muesca cortada en un árbol, que dirige la caída del árbol.

**Control de aceite:** Sistema de lubricación de la guía y de la cadena de la sierra.

**Asidero Trasero:** Asidero de sostén situado en la parte trasera de la sierra.

**Guía de repulsión reducida:** Guía que ha demostrado reducir la repulsión de forma significativa.

**Cadena de sierra de repuesto:** Cadena que reúne los requisitos de repulsión de ANSI B175.1 una vez testada con determinadas motosierras. Puede no reunir los requisitos de ANSI si se utiliza con otras motosierras.

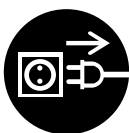
**Cadena de la sierra:** Cadena cerrada con dientes de corte que cortan la madera, propulsada por el motor y soportada por la guía.

**Barra dentada:** Diente o dientes usados durante la tala o el fragmentado para girar la sierra sobre el mismo o los mismos, y para mantener la posición durante el corte.

**Interruptor:** Dispositivo que, al accionarlo, completa o interrumpe un circuito de potencia eléctrica al motor de la motosierra.

**Botón de bloqueo:** Un botón de detención que previene la operación no intencionada del interruptor hasta que se lo accione manualmente.

## PUESTA EN MARCHA



**ATENCIÓN:** Antes de trabajar en el riel o la cadena de sierra es indispensable desacoplar el enchufe macho y ponerse guantes protectores.

**ATENCIÓN:** La motosierra eléctrica solamente se debe poner en marcha una vez finalizado el montaje y el control de la misma

**A**

### Montaje del riel/de la cadena de sierra

Poner la motosierra sobre una superficie estable y realizar los trabajos siguientes para el montaje de la cadena y del riel de sierra: Desbloquear el freno de la cadena. Para ello tirar de la protección manual (1) en la dirección que indica la flecha.

Doblar hacia arriba (véase también la imagen G) el tensor rápido de la protección de la rueda dentada para cadena (2).

Apretar con fuerza el tensor rápido de la protección de la rueda dentada para cadena en contra de la tensión del muelle y girar lentamente en dirección **contraria a las agujas del reloj**, hasta que se note que haya encajado. Seguir apretando e ir girando todo lo que sea posible en dirección contraria a las agujas del reloj.

Soltar de nuevo (aliviar la carga) el tensor rápido de la protección de la rueda dentada para cadena y, girando en **dirección a las agujas del reloj**, volver a colocarlo en la posición original y repetir el procedimiento a menudo, hasta que dicha protección dentada (3) deje de estar atornillada.

Arriostar levemente la protección dentada para la cadena (3), tirar del soporte posterior (4) y sacar.

**B**

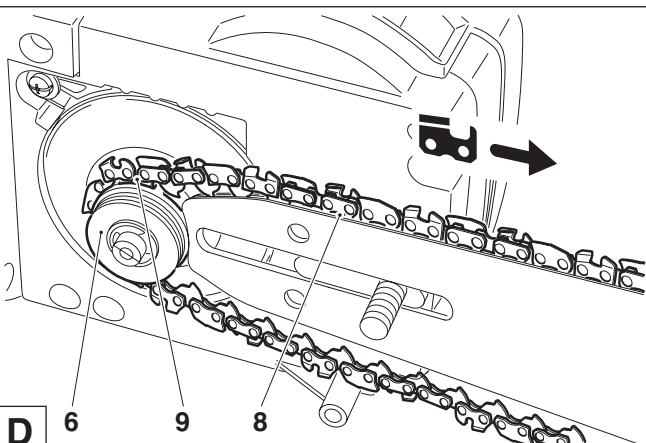
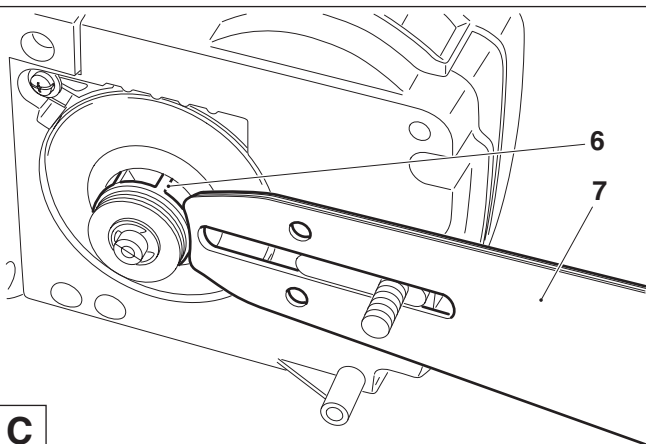
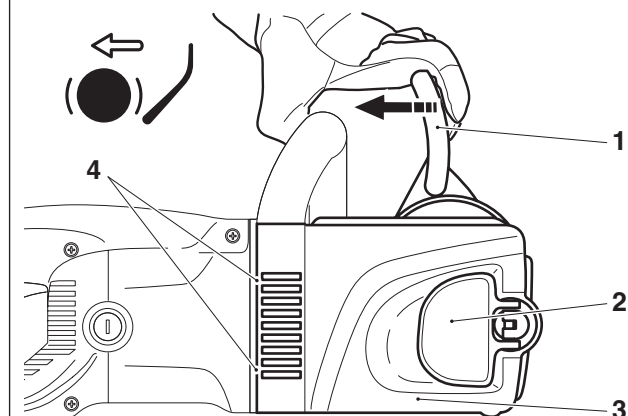
Colocar el carril de la sierra (7) y apretar hacia la rueda eriza (6).

**C**

Colocar la cadena de la sierra (9) en la cadena eriza (6). Deslizar con la mano derecha la cadena de la sierra en la ranura superior (8) del carril de la sierra.

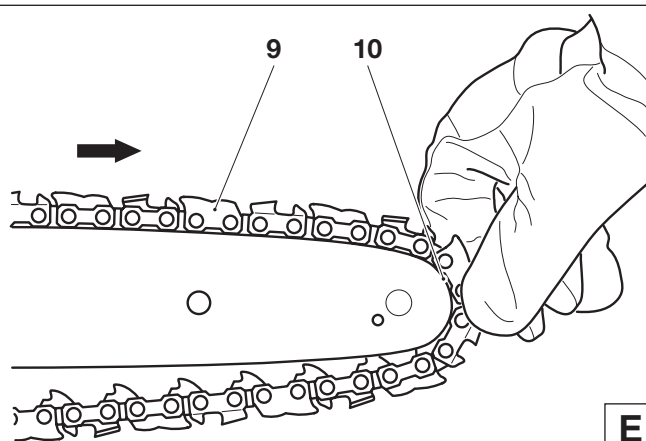
**¡Los filos de corte de la cadena de la sierra tienen que mirar obligatoriamente hacia el lado superior del carril y en la dirección que señala la flecha!**

**D**





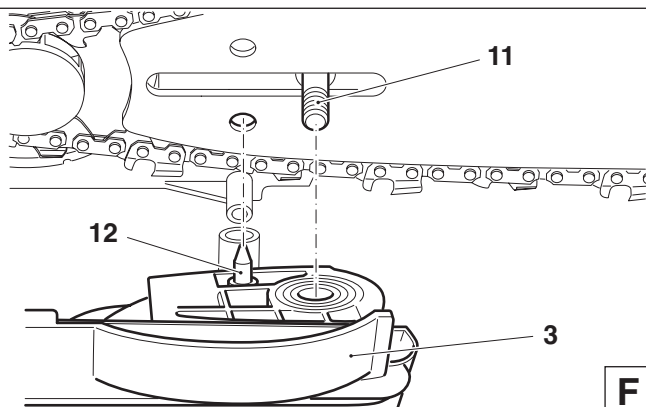
Apretar suavemente el carril de la sierra con la mano izquierda en contra del alojamiento en la carcasa y colocar la cadena de la sierra (9) alrededor de la nariz de piñón (10) del carril de la sierra y mientras tanto tirar suavemente de la cadena de la sierra en la dirección que señala la flecha.



E

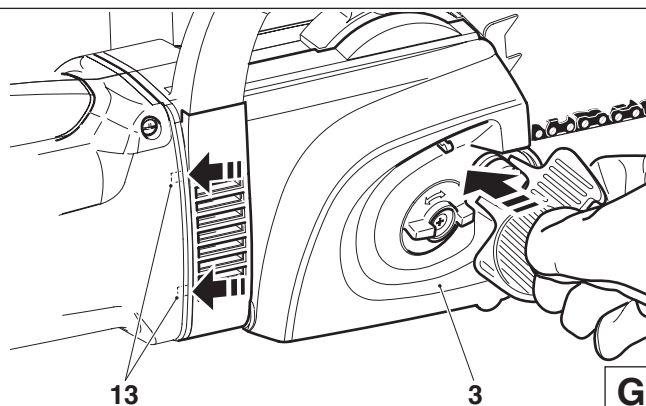
Alienar el taladro de alojamiento en la protección dentada para cadena con los pernos de anclaje (11).

Girando el tornillo tensor de la cadena (H/14) hacer concordar el perno de tensión de la cadena (12) con el agujereado del riel.



F

Presionar primero la protección dentada para cadena (3) en el soporte (13) y después deslizar en el perno de anclaje (F/11).



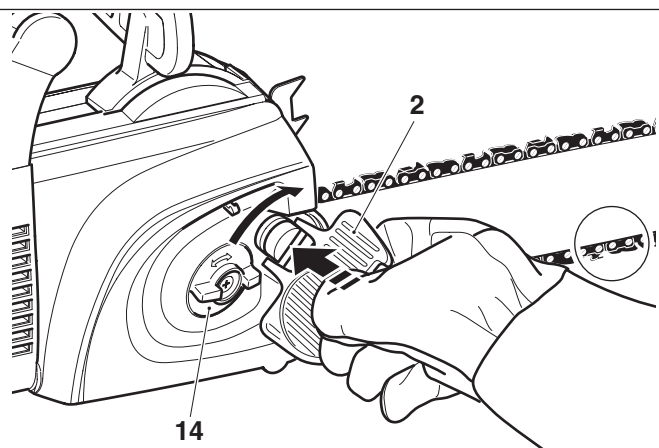
G

### Tensar la cadena de sierra

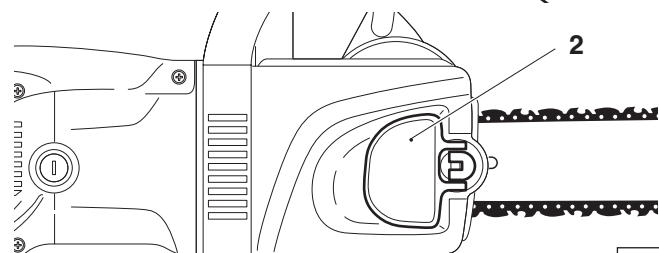
Atornillar la protección dentada para cadena (3), enroscando fuertemente pero sin apretarla demasiado y a la vez girar el tensor rápido de la protección dentada para cadena (2, en dirección de las agujas del reloj).

Levantar un poco la punta del rail de la sierra y girar el tensor de la cadena (14) en dirección de las agujas del reloj, hasta que la cadena de la sierra haya encajado en la ranura-guía de la parte inferior del carril (véase el círculo).

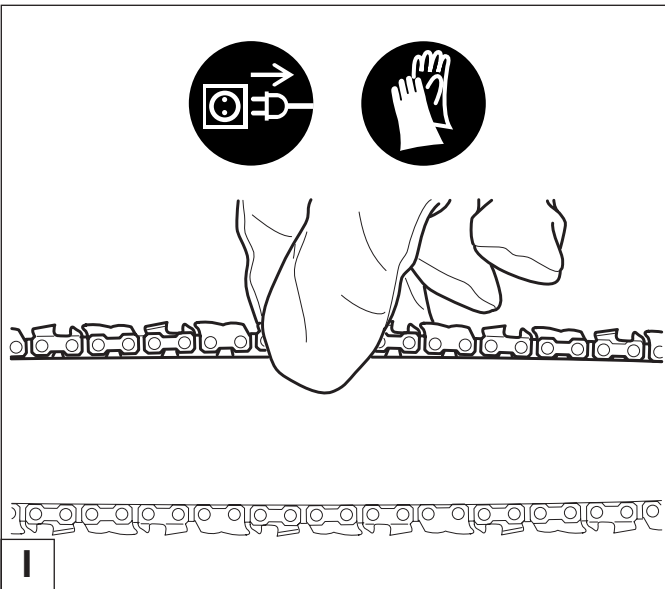
Volver a apretar el tensor rápido de la protección de la rueda dentada para cadena (2) y atornillar en el sentido de las agujas del reloj.



Soltar el tensor rápido de la protección de la rueda dentada para cadena (2) (quitarle la carga) hasta que pueda girarse a voluntad, y luego volver a cerrar tal como se muestra en la imagen.



H



### Controlar la tensión de la cadena

La cadena de la sierra está correctamente tensada cuando la cadena de la sierra se ciñe en la parte inferior de la guía y puede separarse con la mano fácilmente unos 2-4 mm de la guía de la sierra.

¡Controlar con frecuencia la tensión de la cadena, ya que las cadenas nuevas se alargan!

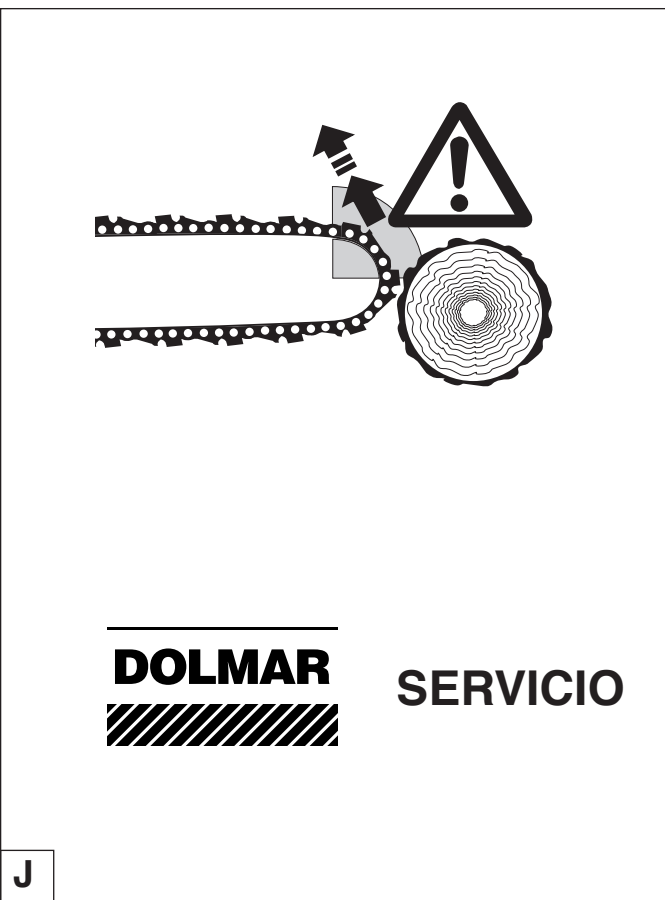
Por eso comprobar la tensión de la cadena frecuentemente con el **motor desconectado** y el **enchufe macho desacoplado**. Si la **cadena está demasiado floja**: Destornillar el tensor rápido de la protección de la rueda dentada para cadena aproximadamente una vuelta. Tensar la cadena tal como se describe en el apartado "tensar la cadena de la sierra".

### CONSEJO ÚTIL:

Utilice alternadamente unas 2 o 3 cadenas de sierra para que la cadena de la sierra, la rueda dentada y las superficies de rodadura se desgasten de modo uniforme.

Para lograr un desgaste uniforme de la guía de sierra darla vuelta cada vez que se cambia la cadena de sierra.

I



### Freno de cadena

Los modelos vienen equipados de serie con un freno de cadena. La repulsión (kickback) se produce a causa del contacto de la punta de la guía con la pieza a cortar (ver capítulo: INSTRUCCIONES DE SEGURIDAD, página 49).

### Freno de marcha en inercia

Los modelos vienen equipados en serie con un freno de marcha en inercia.

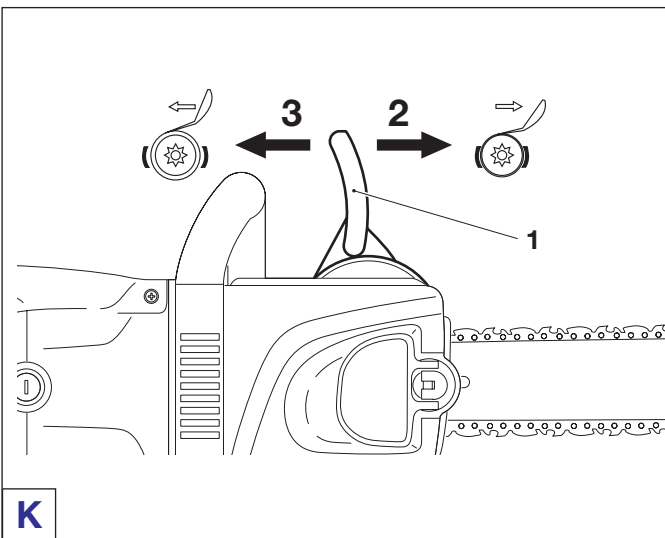
El freno de marcha en inercia produce, una vez soltado el conmutador ON/OFF, la detención inmediata de la cadena de la sierra, impidiendo la peligrosa marcha en inercia de la cadena de la sierra.

El control del freno de marcha en inercia está descrito en la página 58.

### Mantenimiento de los frenos de cadena y de marcha en inercia

Los sistemas de freno son instalaciones de seguridad sumamente importantes y, como toda pieza, también están expuestos a un cierto desgaste. El control y el mantenimiento regulares sirven para su propia seguridad y solamente pueden ser realizados en un taller especializado de DOLMAR.

J



### Activación del freno de la cadena (bloqueo)

Si la repulsión es suficientemente fuerte, la rápida aceleración de la guía de la sierra y la inercia de masas de la protección de manos (1) activarán **automáticamente** el freno de la cadena.

Para poner en función el freno **manualmente** apretar el protector de mano (1) con la mano izquierda en la dirección de la punta del riel (**flecha 2**).

### Soltar el freno de cadena

Tirar el protector de mano (1) en la dirección del asidero tubular (**flecha 3**), hasta que enclave. El freno de cadena es soltado.

### NOTA:

Cuando está activado el freno de la cadena, se interrumpe la alimentación de corriente del motor. El control del freno de la cadena está descrito en la página 58.

K

## Aceite para la cadena de sierra



Para lubricar la cadena y el riel de sierra usar un aceite con una adición adhesiva. La adición adhesiva en el aceite evita que el aceite sea centrifugado demasiado rápido de la motosierra.

No usar aceite mineral. Para proteger el ambiente se ha rescrito el uso de aceite que es biológicamente desintegrable.

El aceite para cadenas BIOTOP ofrecido por DOLMAR es producido de elegidos aceites vegetales, 100% son biológicamente desintegrables. BIOTOP es agraciado oficialmente con el "ángel azul" por ser favorable al ambiente (RAL UZ 48).



Se puede comprar aceite para cadenas BIOTOP en los tamaños de embalaje siguientes, dependiente de su consumo:

1 litro	número de pedido	980 008 210
5 litros	número de pedido	980 008 211

Aceite para cadenas que es biológicamente desintegrable tiene una cerservabilidad limitada y se debe consumir en el plazo de dos años desde la fecha de fabricación impresionada.

A

### Advertencia importante sobre aceites biológicos para cadenas de sierras

Antes de un cese de funcionamiento más prolongado (que exceda la fecha de conservación del aceite de la cadena de la sierra), el tanque de aceite debe vaciarse y llenarse a continuación con un poco de **aceite para motores** (SAE 30). Acto seguido, se pondrá en marcha durante algún tiempo la sierra eléctrica para expulsar todos los restos de aceite biológico del tanque, del sistema de conducción

de aceite y del dispositivo de aserrado. Esta medida es necesaria, ya que diferentes aceites biológicos tienden a conglutinarse, pudiendo causar con esto daños en la bomba de aceite o en piezas conductoras de aceite. Para una nueva puesta en marcha, volver a incorporar aceite de cadena de sierra BIOTOP nuevo. En caso de daños causados por el uso de aceite usado o un aceite no apropiado para cadenas de sierra la garantía no es válida. Su comerciante especializado le informa sobre el uso de aceite para cadenas.

### ¡Nunca usar aceite usado!

¡Aceite usado es de gran perjuicio para el ambiente!

Aceites usados contienen grandes cantidades de sustancias cancerógenas.

Los residuos en el aceite usado causan un desgaste alto en la bomba de aceite y la cadena y el riel de sierra .

En caso de daños causados por el uso de aceite usado o un aceite no apropiado para cadenas de sierra la garantía no es válido.

Su comerciante especializado le informa sobre el uso de aceite para cadenas.

### ¡Evitar el contacto con ojos y piel!

Productos de aceite mineral, también aceites, desgrasan la piel. Por frecuentes contactos largos la piel se seca. Pueden resultar diversas enfermedades de la piel. Además reacciones alérgicas son conocidas.

El contacto de aceite con los ojos causa afecciones. En caso de un contacto con los ojos inmediatamente enjuagarlos con agua limpia.

¡En caso de una afección continua, inmediatamente visita a un médico!



B

## Rellenar el depósito de aceite



¡Sólo si el motor está desconectado y el enchufe macho desacoplado!

- Limpiar cuidadosamente el alrededor del cierre para que el depósito de aceite no sea contaminado.
- Destornillar el cierre (1) y rellenar el depósito con aceite para cadenas hasta el lado inferior del tubo de relleno.
- Atornillar firmemente el cierre.
- Limpiar aceite derramado.

### Advertencia importante

Antes de la primera puesta en marcha, el sistema de conducción de aceite debe llenarse completamente para lograr que el aceite para cadenas de sierras lubrifique el dispositivo de aserrado. Este procedimiento puede durar hasta dos minutos.

- Se puede controlar el nivel de aceite en la ventanilla (2).

Para lubricar la cadena suficientemente el nivel de aceite en el depósito debe ser bastante.

C

## Lubricar la cadena de sierra

¡Sólo con el motor apagado y con la clavija a la red desenchufada!

Para poder garantizar el funcionamiento perfecto de la bomba de aceite es necesario limpiar con regularidad la ranura-guía de aceite (3) así como el taladro de entrada de aceite en el riel de sierra (4).

### Advertencia:

Una vez detenida la marcha del equipo es normal que durante algún tiempo puedan producirse pequeñas fugas del aceite de cadena que aún se encuentra en el sistema de conducción de aceite, en la guía y en la cadena. No se trata de ningún defecto. Utilice una base de recolección adecuada.

### Filtro de aceite de la cadena

Las partículas de suciedad que se asientan en el filtro de aceite de la cadena obturan cada vez más el flujo de aceite de la lubricación. Esto provoca un desgaste prematuro de la cadena y del carril de la sierra.

Si la lubricación de la cadena no es suficiente ha de lavarse o cambiarse el filtro de aceite (6).

- Sacar la protección de la rueda dentada para cadena, la cadena y el riel (véase PUESTA EN FUNCIONAMIENTO).
- Limpiar escrupulosamente la zona de la abertura de salida de aceite (5).
- Desmontar con cuidado la arandela de frenado dentellado (7) y el filtro de aceite de la cadena (6) con un destornillador pequeño.
- Limpiar el filtro de aceite de la cadena. Si la suciedad es mayor, cambiar.
- Enchufar la electrosierra a la red eléctrica y poner en marcha hasta que el aceite de la cadena fluya por la abertura de salida de aceite.
- **Apagar la electrosierra y desenchufarla de la red eléctrica.**
- Limpiar con un trapo la zona de la abertura de salida de aceite (5).
- Colocar el filtro de aceite de la cadena (6) y la arandela de frenado dentellado (7) tal como se muestra en el **esquema de construcción**. Cuando la arandela de frenado dentellado no asegure más el filtro de aceite de la cadena, utilizar una arandela nueva del mismo tipo.
- Montar la protección del riel, la cadena y la protección de la rueda dentada para cadena (véase PUESTA EN FUNCIONAMIENTO).

Esquema de construcción

D

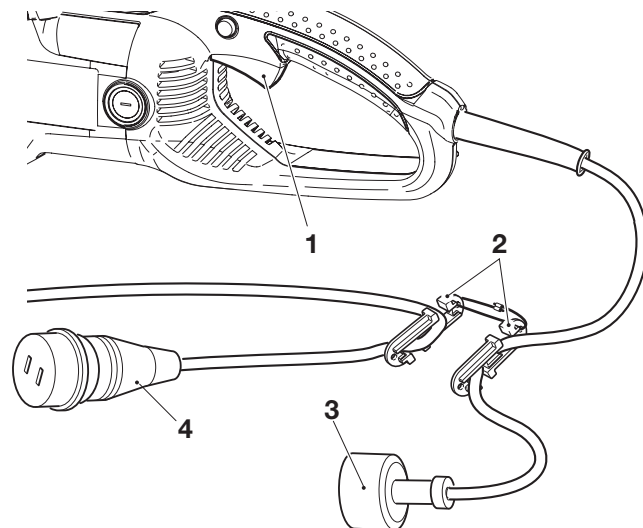
## Conectar la electrosierra a la red eléctrica

### ¡ATENCIÓN!

Antes de enchufar la electrosierra a la red eléctrica, es obligatorio examinar antes si estando apretado el interruptor **ENCENDIDO / APAGADO (1)**, cuando se suelta, éste vuelve por sí mismo a la posición de apagado. Si esto no es así, **no enchufar jamás la electrosierra a la red eléctrica**. Ir a un taller especializado de DOLMAR.

Colgar el cable de prolongación y el de conexión de la electrosierra en la descarga de tracción (2).

Conectar el enchufe a la red (3) con el cable de prolongación (4).



A

## Uso de la motosierra

Asegúrese siempre de tener una posición segura y sujete la motosierra firmemente con ambas manos mientras esté en marcha el motor.

### Conectar el motor

- Conectar la motosierra a la corriente (véase en la parte superior).
- **Sostener la motosierra siempre con ambas manos al conectarla a la red.** Poner la mano derecha al mango trasero, la mano izquierda al mango tubular. Empuñar firmemente los mangos con sus pulgares. El riel y la cadena no deben estar cerca de su cuerpo.
- Primero apretar el botón de bloqueo (5), pues el interruptor (1), entonces desasir el botón de bloqueo (5).
- **¡Atención, la cadena de sierra arranca inmediatamente!** Mantener oprimido el interruptor durante el trabajo.

### ATENCIÓN:

¡Es prohibido bloquear el interruptor en la posición de conexión!

### Desconectar el motor

- Desasir el interruptor (1).

### NOTA:

Cuando el freno de la cadena está activado se interrumpe la alimentación de corriente del motor.

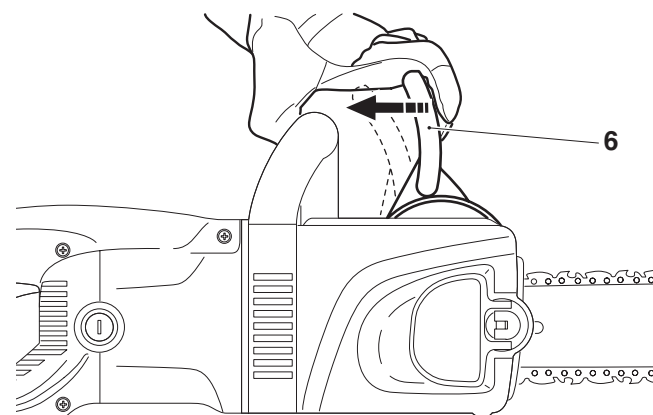
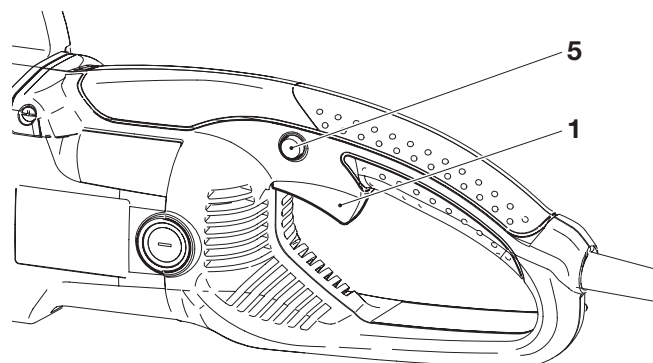
Si la motosierra no arrancara al accionar el interruptor (1), debe soltarse el freno de la cadena

- Tirar fuertemente de la protección de manos (6) en el sentido de la flecha, hasta que encastre sensiblemente.

### Nota importante:

Los modelos están dotados de un limitador de corriente de arranque. Esta pieza electrónica de construcción impide un inicio brusco del motor eléctrico.

**Protección contra sobrecargas:** Si la toma de tensión de la electrosierra sobrepasa el nivel permitido, el suministro de corriente del motor se interrumpe automáticamente. Esto evita que el motor se sobrecaliente y se estropee. Para a continuación poder encender la electrosierra (arrancar) de nuevo,



soltar el interruptor **ENCENDIDO / APAGADO** y volver a accionarlo de nuevo.

**¡ATENCIÓN!** No seguir utilizando la electrosierra si el interruptor automático de sobreintensidad para la sierra varias veces. Ir a un taller especializado de DOLMAR.

B



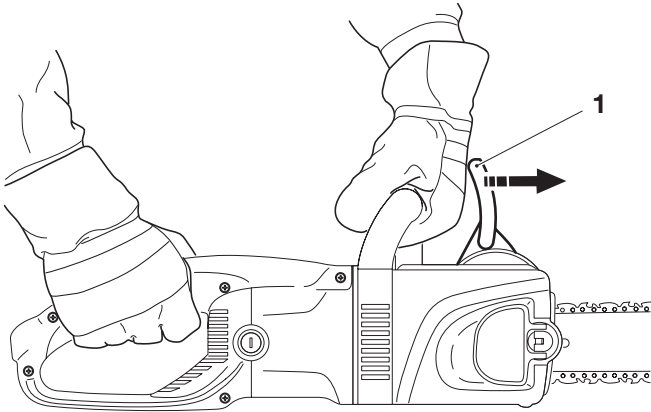
### Controlar el freno de cadena



Antes de iniciar el trabajo debe controlarse, sin excepción, el freno de la cadena.

- Asir **firmemente** la empuñadura de puente con una mano, y con la otra mano sujetar el asidero.
- Arrancar el motor según la descripción (adoptar una posición firme y colocar la motosierra sobre el suelo, de tal modo que el dispositivo de aserrado quede libre).
- Poner el motor en marcha y presionar con el **dorso de la mano** la protección de manos (1) en la dirección de la flecha hasta que quede bloqueado el freno de la cadena. La cadena de la sierra debe detenerse inmediatamente.
- Apagar de nuevo el motor **inmediatamente** y volver a soltar el freno de la cadena.

**Atención:** Si durante este control la cadena de la sierra no se detuviera inmediatamente, no debe iniciarse el trabajo **bajo ningún concepto**. Acuda sin falta a un taller especializado de DOLMAR.



C

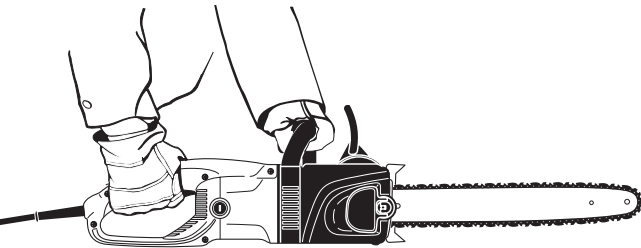
### Controlar el freno de marcha en inercia



El control del freno de marcha en inercia debe realizarse antes de iniciar cada trabajo.

- Asir **firmemente** la empuñadura de puente con una mano, y con la otra mano sujetar el asidero.
- Arrancar el motor según la descripción (adoptar una posición firme y colocar la motosierra sobre el suelo, de tal modo que el dispositivo de aserrado quede libre).
- Encender el motor y apagarlo nuevamente. La cadena de la sierra debe detenerse en el término de dos segundos a partir del apagado.

**Atención:** Si durante este control la cadena de la sierra no se detuviera en el término de dos segundos no podrá iniciarse la tarea. Revisar las escobillas de carbón (ver página 63).



D

### Controlar el engrase de cadena

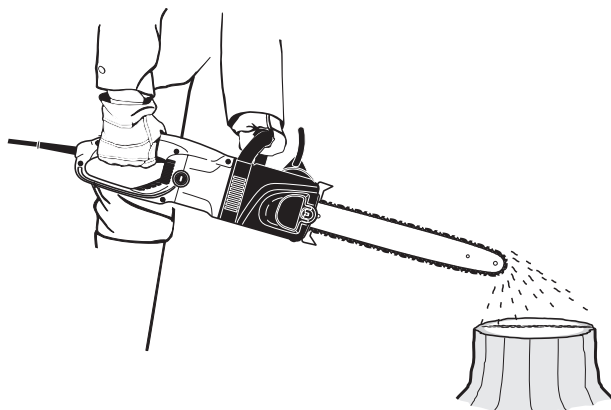


Nunca serrar sin engrase de cadena suficiente. ¡De lo contrario, se reduciría la duración de la cadena y del riel de sierra!

Antes de comenzar a trabajar, comprobar el nivel de aceite en el depósito y también el caudal. Comprobar el caudal de aceite como descrito en lo siguiente:

- Conectar la motosierra.
- Sostener la motosierra aprox. 15 cm por encima de un tronco o el suelo (usar una base apropiada).

Si el engrase es suficiente, se puede ver una línea de aceite por debajo de la motosierra. Poner atención en la dirección del viento y no exponerse a la neblina de lubricante más de lo necesario.



E



## Tala de un árbol.

Cuando los trabajos de fragmentado se realizan por una o varias personas a la vez, la operación de tala debe separarse del trabajo de fragmentado a una distancia de por lo menos dos veces la altura del árbol a derribar. Los árboles no deben caer en un modo que pudiera poner en peligro a ninguna persona ni rozar ninguna línea de servicio ni causar ningún daño similar. Si el árbol tocara alguna línea de un servicio, deberá informarse inmediatamente a la compañía del servicio correspondiente.

El operador de la motosierra debe situarse siempre en la parte superior de un terreno inclinado, ya que el árbol muy probablemente rueda o se deslice hacia abajo una vez derribado.

Debe planearse una vía de escape que, si fuese necesario, tendrá que despejarse antes de iniciar los cortes. La vía de escape debe extenderse hacia la parte opuesta a la dirección prevista del derribo del árbol y también diagonal a la misma, según indica la figura A. El próximo lugar de trabajo debe situarse a una distancia mínima de dos alturas de árbol.

Antes de iniciar la tala, considere la inclinación natural del árbol, la ubicación de las ramas más grandes y la dirección del viento para determinar en qué dirección caerá el árbol. Remueva ensuciamientos, piedras, corteza suelta, clavos, grapas y cables del árbol, allí donde habrán de realizarse los cortes de derribo.

## Muesca de derribo

Realice la muesca con una profundidad de 1/3 del diámetro del árbol, perpendicular a la dirección de derribo, según indica la fig. B. Haga primero el corte inferior para evitar el atasco de la cadena de la sierra o de la guía cuando se realice el corte de derribo.

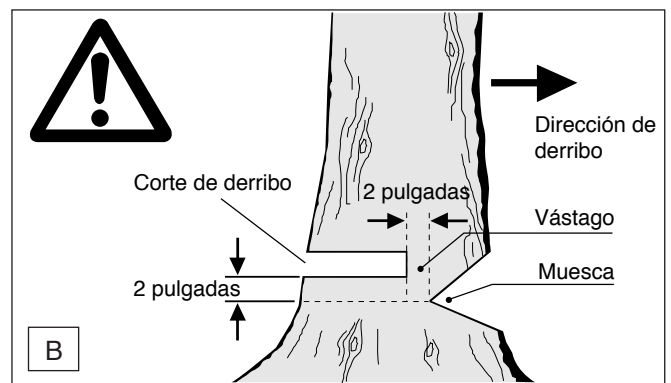
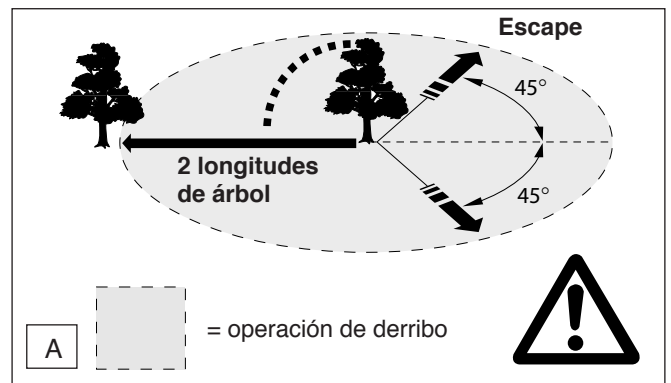
## Corte de derribo

Inicie el corte de derribo por lo menos 2 pulgadas (50.8 mm) por encima de la muesca horizontal que muestra la figura B. Mantenga el corte de derribo paralelo a la muesca de derribo horizontal. Realice el corte de derribo de modo que quede sin cortar una porción suficiente que actúe de vástago. El vástago evita la torcedura del árbol y su caída en la dirección equivocada. No corte el vástago.

Cuando el corte de derribo se acerca al vástago, el árbol comienza a caer. Si hubiera alguna posibilidad de que el árbol no caiga en la dirección deseada o que se balanceara hacia atrás sujetando la cadena de la sierra, detenga la operación de corte antes de que termine el derribo y utilice cuñas de madera, plástico o aleación ligera para abrir el corte y orientar el árbol hacia la línea de derribo deseada. Cuando el árbol comience a derribarse, extraiga la motosierra del corte, apague el motor, coloque la motosierra en el suelo y salga por la vía de escape planeada. Ponga atención en ramas que puedan caer y en dónde pone los pies.

## Desramado

El desramado es la eliminación de las ramas de un árbol derribado. Deje las ramas inferiores para que apoyen el tronco sobre el suelo. Remueva las ramas pequeñas con un corte según muestra la fig. C. Las ramas bajo tensión deben cortarse siempre desde arriba, a efectos de evitar el atasco de la cadena de la sierra.



## Fragmentado de un rollizo.

El fragmentado es el corte de un rollizo en diferentes largos. Es importante que usted se asegure de su posición firme y de que su peso está igualmente distribuido en ambos pies. Si fuese posible, el rollizo debería elevarse y soportarse usando ramas, troncos o tacos. Observe las instrucciones sencillas de corte fácil.

Cuando el rollizo se encuentre apoyado en todo su largo, según muestra la fig. D, se corta desde arriba.

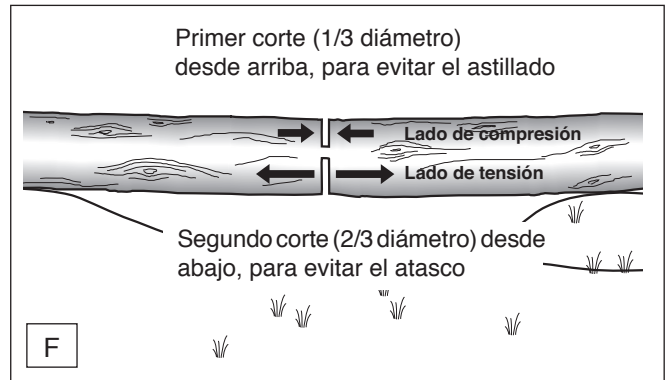
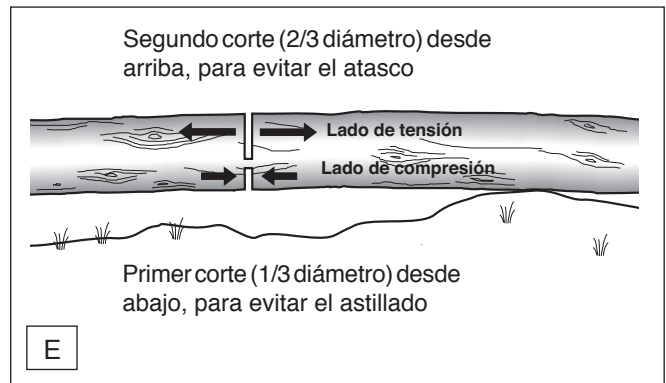
Cuando el rollizo está apoyado en un extremo, según muestra la fig. E, corte 1/3 del diámetro desde abajo (lado de compresión). A continuación, haga el corte final desde arriba hasta llegar al primer corte.

Cuando el rollizo está apoyado sobre ambos extremos, según muestra la fig. F, corte 1/3 del diámetro desde arriba y realice luego el corte final de los 2/3 inferiores hasta llegar al primer corte.

Si realiza el fragmentado en una pendiente, párese siempre en la parte más alta de la pendiente, según muestra la fig. G. Al seccionar el rollizo, atenúe la presión de curte cuando llegue al final del corte, pero sin aflojar la sujeción de los asideros de la sierra. No permita que la cadena tome contacto con el suelo. Una vez completado el corte, espere que la motosierra se detenga, antes de trasladar la motosierra. Detenga siempre el motor antes de trasladarse de un árbol al otro.

## Trasladar el equipo

Traslade el equipo sujetándolo con el asidero posterior, con el equipo apagado y los dedos lejos del interruptor. Use el protector de la guía para cubrir la guía y la cadena de la sierra.



## MANTENIMIENTO

### Reafilar la cadena de sierra

¡Antes de trabajar en la cadena de sierra es indispensable desacoplar el enchufe macho y ponerse guantes protectores!

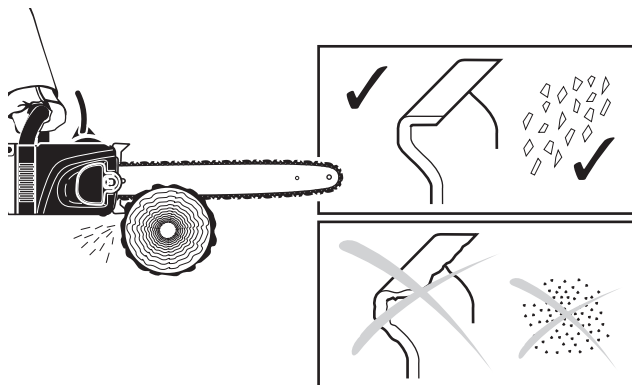
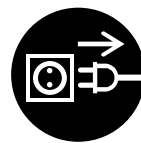
#### La cadena de la sierra debe afilarse cuando:

- se produce aserrín similar a polvo de madera al serrar madera húmeda.
- la cadena penetra la madera sólo con gran fuerza.
- se puede ver daños en el canto cortado.
- al serrar la motosierra tira hacia la izquierda o hacia la derecha. El origen de este comportamiento está en un afilado irregular de la cadena de la sierra o en un daño de un lado solo.

#### Importante: afilar con frecuencia y remover poco material

En la mayoría de los casos basta limar 2-3 veces.

Después de haber reafilado varias veces personalmente, dejar reafilado la cadena en un taller especializado.



#### Criterios para el afilado:

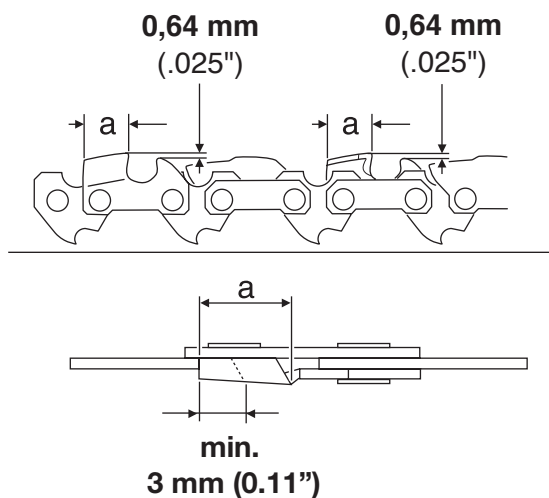
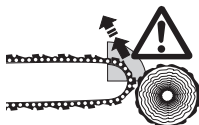
##### ATENCIÓN:

Utilice exclusivamente las cadenas y las guías admitidas para esta sierra (consultar el extracto de la lista de repuestos).

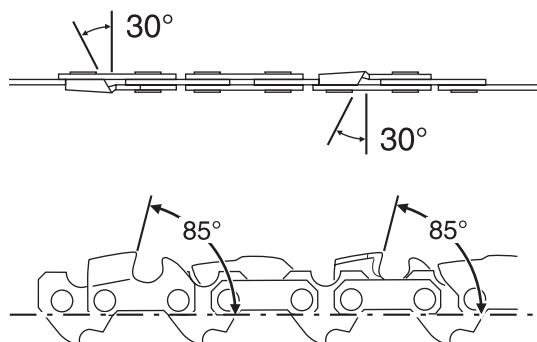
- Todos los dientes de cepillo deben tener la misma longitud (a). ¡Si los dientes tienen longitudes diferentes, causan una marcha irregular y acaso una ruptura de la cadena!
- Longitud mínima de la muela de sierra: 3 mm (0.11"). No volver a afilar la cadena de la sierra cuando se haya alcanzado la longitud mínima de la muela de sierra. (Véase „extracto de la lista de repuestos“ y el capítulo „nueva cadena de sierra“).
- La distancia entre el tope de profundidad y el filo determina el espesor de la viruta.
- Los mejores cortes se logran con una distancia del tope de profundidad de 0,64 mm (.025").

##### ATENCIÓN:

¡Una distancia demasiado grande aumenta el peligro de repulsiones!



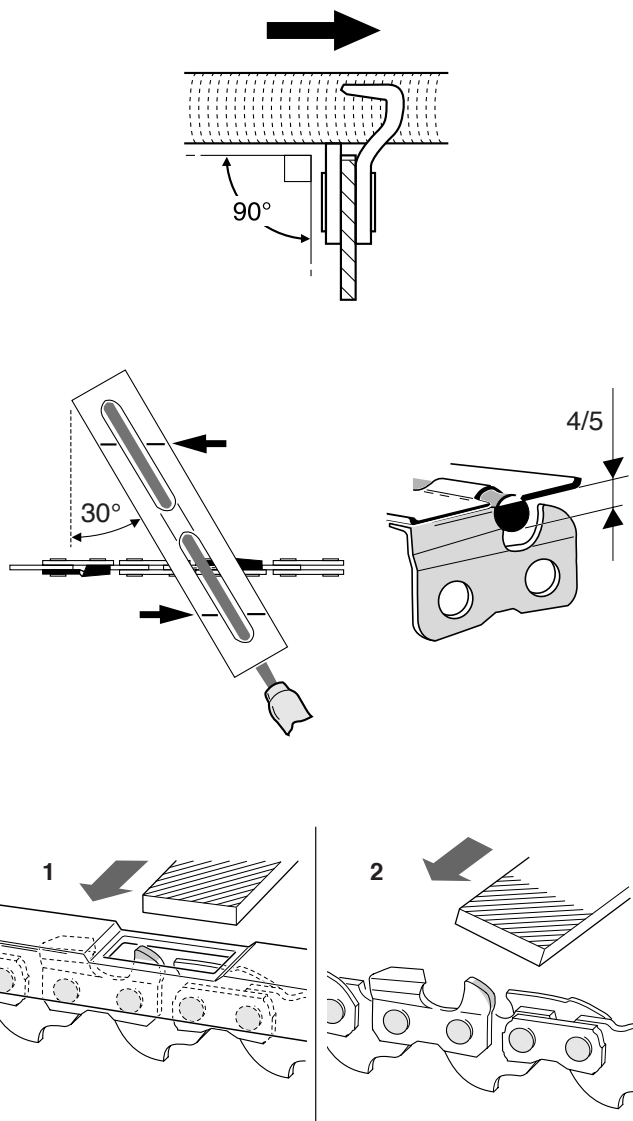
- Es absolutamente necesario que el ángulo de afilado de 30° sea idéntico en todos los dientes de sierra. ¡Ángulos diferentes causan una marcha irregular de la cadena, aceleran el desgaste y provocan rupturas de la cadena!
- El ángulo de ataque de la muela de sierra de 85° depende de la profundidad de penetración de la lima redonda. Si se guía la lima correctamente, el ángulo de ataque correcto resulta automáticamente.



A

## Limar y guiar la lima

- Para el reafilado, usar la portalimas con una lima redonda ( $\varnothing$  4,0 mm) construida especialmente para cadenas de sierra. Limas redondas normales no son apropiadas. (Ver accesorios para el número de pedido).
- La lima debe afilar sólo al empuje hacia adelante (flecha). Al empuje hacia atrás levantarla de la madera.
- Primero reafilar el diente de cepillo más pequeño. La longitud de este diente es la medida teórica para todos los otros dientes de la cadena de sierra.
- Guiar la lima de modo como ilustrado.



- El portalimas facilita la conducción de la lima; lleva marcas para el ángulo de afilado correcto de 30° (orientar las marcas paralelas a la cadena de la sierra) y limita la profundidad de hundimiento (4/5 del diámetro de la lima). Consultar el N° de pedido en la lista de accesorios.

- Después de reafilar comprobar la altura del tope de profundidad con el calibrador de cadena (Ver accesorios para el número de pedido).
- Corregir también cobrantes mínimos con la lima plana especial (1) (Ver accesorios para el número de pedido).
- Redondear el tope de profundidad (2).

B

## Limpiar guía de la cadena, relubricar la estrella de desviación

### ATENCIÓN:

**¡Ponerse guantes protectores!**

Los rieles de la guía deben examinarse periódicamente por posibles fallas y deben limpiarse con una herramienta adecuada. Si la motosierra eléctrica se utiliza de forma intensiva, será necesario relubricar con regularidad el cojinete de la estrella de desviación (1 vez por semana). Limpiar **cuidadosamente** la perforación de 2 mm en la punta de la guía de la sierra antes del relubricado, e incorporar una pequeña cantidad de grasa de aplicación múltiple. La grasa de aplicación múltiple y la engrasadora se obtienen como accesorios.

Grasa de aplicación múltiple (N° de pedido 944 360 000)  
Engrasadora (N° de pedido 944 350 000)

C



## Nueva cadena de sierra

### ATENCIÓN:

Utilice exclusivamente las cadenas y las guías admitidas para esta sierra (consultar el extracto de la lista de repuestos)!

Antes de montar una cadena de sierra nueva es necesario controlar el estado del piñón (1).

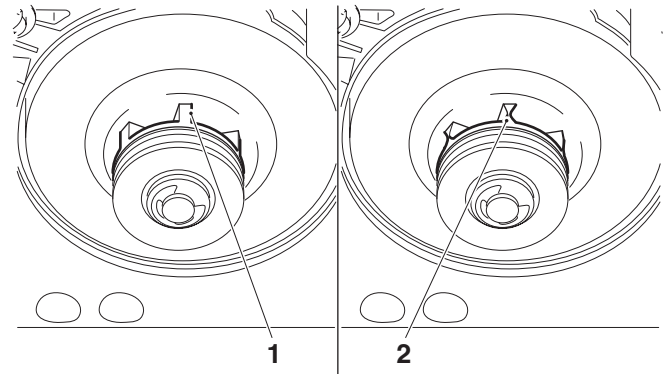
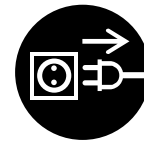
### ATENCIÓN:

Piñones desgastados (2) causan daños en la cadena de sierra nueva y por eso deben ser cambiados.

El recambio de la rueda dentada para cadena requiere una preparación profesional cualificada y un taller DOLMAR equipado con herramientas especiales.



## SERVICIO

**D**

## Controlar/recambiar escobillas de carbón

### ATENCIÓN

Las escobillas de carbón deben controlarse en períodos regulares. La entalladura en la escobilla de carbón indica el límite de desgaste.

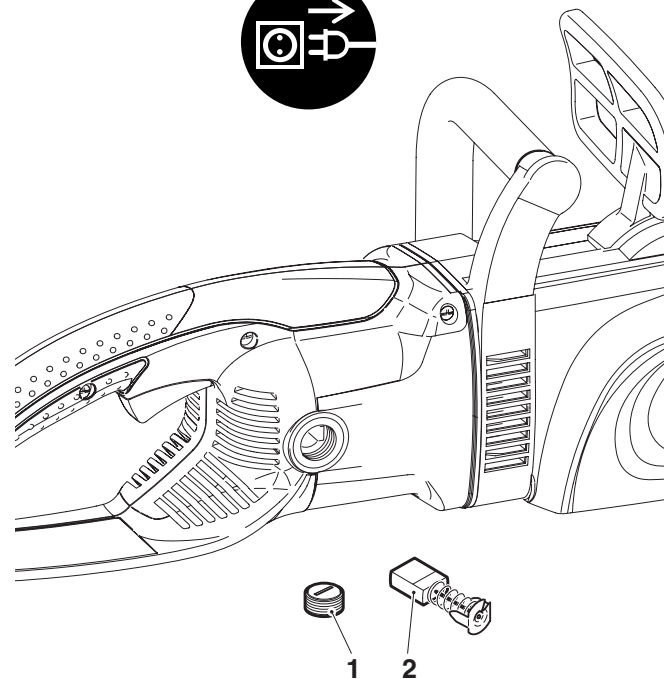
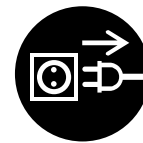
### ADVERTENCIA:

La escobilla de carbón es sumamente frágil. Evite su caída. Al retirar la escobilla de carbón debe observarse sin falta su ubicación, ya que la escobilla de carbón se ha adaptado al rotor.

- Desenroscar la tapa (1) con la llave universal y extraer la escobilla de carbón (2).
- Si aún no se ha alcanzado el límite de desgaste, volver a incorporar la escobilla de carbón en la misma posición y enroscar la tapa (1).
- Activar durante un corto tiempo (aprox. 1 minuto) la motosierra eléctrica, para que las escobillas de carbón se readapten.

**ATENCIÓN:** Controlar ahora el freno de marcha en inercia (ver página 16). Si la cadena de la sierra no se detuviera en el término de dos segundos, volver a activar brevemente la motosierra hasta que el control dé los resultados correctos.

**ADVERTENCIA:** Después de incorporar nuevas escobillas de carbón, activar la motosierra durante unos 5 minutos y comprobar también el freno de marcha en inercia.

**E**



A efectos de mantener la **SEGURIDAD** y **FIABILIDAD** del producto, las reparaciones y cualquier tipo de mantenimiento o ajuste deben ser realizados por talleres autorizados de DOLMAR, usando siempre piezas de repuesto de DOLMAR.

## Localización de averías

Avería	Sistema	Observación	Causa
motosierra no funciona	total	motor eléctrico no funciona	no alimentación de corriente cable defectuoso freno de cadena soltado Activado el cortacircuito de la red
potencia insuficiente	escobillas de carbón	pequeña potencia de arranque	Escobillas de carbón desgastadas
no engrase de cadena	depósito de aceite bomba de aceite	no hay aceite en la cadena	depósito de aceite vacío, ranura-guía de aceite sucia El filtro de aceite de la cadena está obturado
Freno de cadena	Freno	La cadena de la sierra no se detiene inmediatamente	Cinta de freno desgastada
Freno de marcha en inercia	Freno	La cadena de la sierra marcha en inercia	Escobillas de carbón desgastadas

## Instrucciones para el mantenimiento regular

A efectos de lograr una prolongada vida útil, de evitar daños y de asegurar el pleno funcionamiento de los dispositivos de seguridad, los trabajos de mantenimiento descritos a continuación deberán realizarse con regularidad. Los derechos de garantía se reconocerán solamente si estos trabajos se han realizado de forma regular y reglamentaria. ¡La no observación de estas instrucciones puede originar accidentes!

El operador de una motosierra debe realizar sólo los trabajos de mantenimiento descritos en las instrucciones de manejo. Todos los otros trabajos deben ser llevados a cabo por un taller especializado DOLMAR.

Página

<b>En general</b>	Motosierra eléctrica Cárter plástico  Cadena de sierra  Riel de sierra  Rueda de la cadena Freno de cadena Freno de marcha en inercia	Regularmente limpiar el exterior. Comprobar por rupturas y grietas. Dejar efectuar reparaciones inmediatamente por un taller especializado. Reafilarse con regularidad. Remplazar a tiempo. Dar vuelta después de un tiempo determinado, para que las superficies de rodadura cargadas sean desgastadas de modo uniforme. Remplazar a tiempo. A tiempo dejar remplazar en un taller especializado. Hacer controlar de forma regular en el taller especializado  Hacer controlar de forma regular en el taller especializado	
<b>Antes de cada puesta en marcha</b>	Cadena de sierra  Riel de sierra Engrase de cadena Freno de cadena Freno de marcha en inercia Interruptor Cable de empalme  Cierre del depósito	Comprobar por daños y corte. Comprobar la tensión de la cadena. Comprobar por daños, desbarbar si es necesario. Prueba de funcionamiento. Prueba de funcionamiento.  Prueba de funcionamiento. Prueba de funcionamiento. En caso de daños dejar remplazar por un taller especializado. Comprobar por hermeticidad.	61-62 54  58 58  58 57
<b>Después de cada parada</b>	Riel de sierra Soporte del riel	Limpiar el taladro de entrada de aceite. Limpiar, particularmente la ranura-guía de aceite.	56 56
<b>Almacenamiento</b>	Depósito de aceite Cadena/riel de sierra  Motosierra eléctrica	Descargar. Desmontar, limpiar y lubricar ligeramente. Limpiar la ranura-guía del riel de sierra. Almacenar seguramente en un lugar seco. Después de un almacenamiento largo dejar comprobar la motosierra por un taller especializado (aceite restante puede resinificar y atrancar la válvula de la bomba de aceite).	56



## Servicio, piezas de repuesto y garantía

### Mantenimiento y reparaciones


El mantenimiento y la reparación de modernos motores eléctricos y dispositivos de seguridad requieren una formación técnica especial así como un taller equipado con herramientas especiales y dispositivos de prueba.

Cualquier trabajo no descrito en este manual ha de ser realizado por un taller especializado de DOLMAR.

Nuestros prácticos tienen la formación, la experiencia y el equipo necesarios para ofrecerle una solución de un precio lo más favorable. Pueden ayudarle con sus consejos y su apoyo.

El derecho a garantía se pierde si terceros o personas no autorizadas realizan intentos de reparación.

### Piezas de repuesto

La seguridad funcional en el servicio continuo y la seguridad de su motosierra dependen entre otras cosas de la calidad de las piezas de repuesto. Usar sólo piezas de repuesto de origen DOLMAR, identificadas como sigue: 

Estas piezas son producidas especialmente para vuestro tipo de motosierra y por eso aseguran una óptima calidad del material, de la exactitud dimensional, del funcionamiento y de la seguridad.

Piezas de repuesto de origen DOLMAR se pueden comprar en vuestro comercio especializado. Tiene las listas de piezas de repuesto con los números de pedido requeridos y está siempre al corriente sobre mejoramientos y innovaciones en la oferta de piezas de repuesto.

Prestar atención a que al utilizar piezas de repuesto no de origen DOLMAR, DOLMAR no puede conceder una garantía.

### Garantía

DOLMAR garantiza una calidad perfecta y paga para retoques, es decir para el cambio de piezas defectuosas por razón de defectos del material o de fabricación que ocurren dentro del plazo de garantía después del día de compra.

Prestar atención a que en algunos países las condiciones de garantía sean diferentes. En caso de duda dirigirse a su vendedor. Es responsable para la garantía del producto.

Esperamos que Vd. tenga comprensión que en los casos siguientes la garantía deje de aplicarse. Estos son daños por:

- No observación de las instrucciones de manejo.
- Omisión de trabajos de mantenimiento y limpieza necesarios.
- Desgaste normal.
- Sobrecarga evidente por sobrepaso permanente de la potencia máximo.
- Uso de rieles y cadenas de sierra no admitidos.
- Uso de longitudes del riel y de la cadena no admitidas.
- Uso de fuerza, tratamiento inadecuado, uso impropio o accidente.
- Daño de sobrecalentamiento por una entrada sucia del aire de refrigeración en el cárter del motor.
- Uso de piezas de repuesto inadecuadas o de piezas no de origen DOLMAR, si han provocado el daño.
- Uso de combustibles inadecuados o viejos.
- Daños provocados por las condiciones de aplicación del alquiler profesional.
- Reparaciones por personas no experimentadas o reparaciones inadecuadas.

Trabajos de limpieza, mantenimiento y ajuste no son incluidos en la garantía. Dejar realizar todos los trabajos que afectan la garantía por un comerciante especializado DOLMAR.

**Datos técnicos**

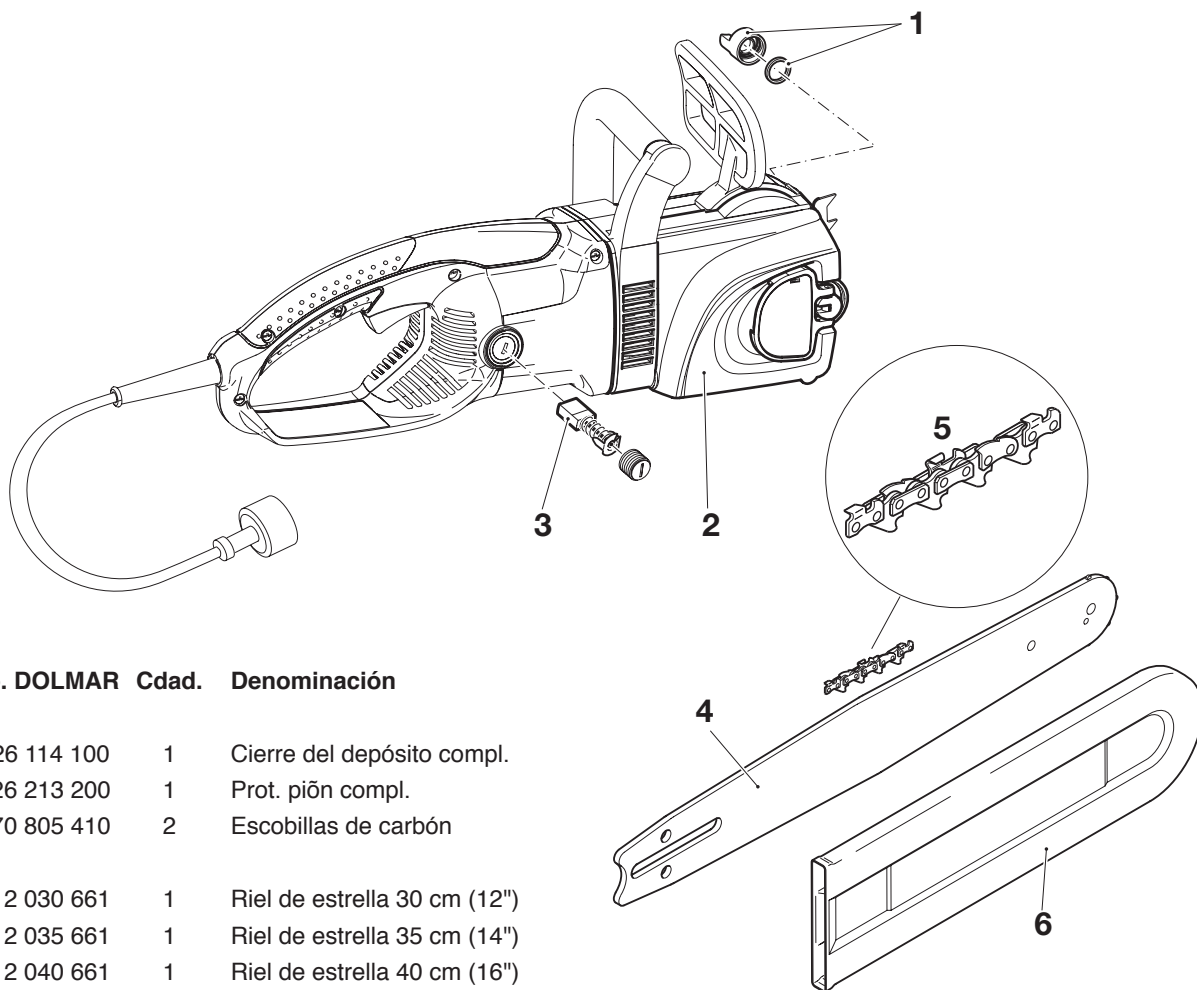
	<b>ES-153 A</b>	<b>ES-163 A</b>	<b>ES-173 A</b>
Tipo de cadena	092		
Paso de la cadena           inch	3/8"		
Longitud de corte           inch / cm	12" / 30	14" / 35	16" / 40
Velocidad máx. de la cadena   m/min	2.600 FPM (800 m/min)		
Volumen del depósito       floz / ml	4,73 / 140		
Transmisión de fuerza	directa		
Protección de sobrecarga	eléctrico		
Freno de cadena	manual		
Freno de marcha en inercia	eléctrico		
Peso (sin riel / cadena)       lbs / kg	9,7 / 4,4		

## Extracto de la lista de piezas de repuesto

Usar sólo piezas de repuesto de origen DOLMAR. Dejar realizar reparaciones y remplazos de otras piezas por un taller especializado DOLMAR.

ES-153 A, 163 A, 173 A

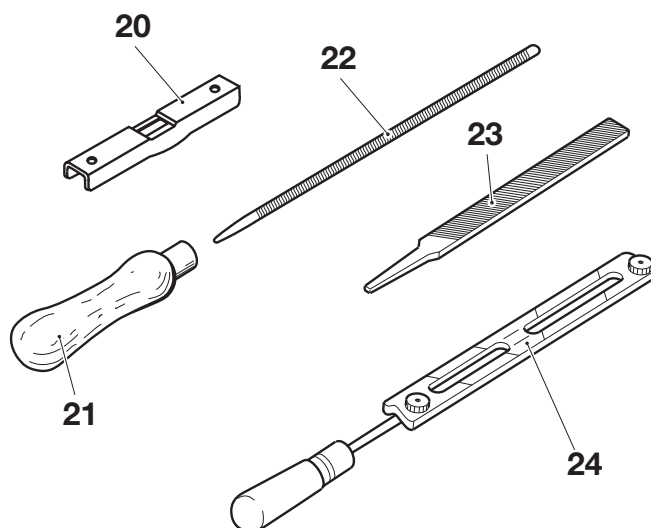
**DOLMAR**



Pos.	No. DOLMAR	Cdad.	Denominación
1	226 114 100	1	Cierre del depósito compl.
2	226 213 200	1	Prot. piñón compl.
3	970 805 410	2	Escobillas de carbón
4	412 030 661	1	Riel de estrella 30 cm (12")
4	412 035 661	1	Riel de estrella 35 cm (14")
4	412 040 661	1	Riel de estrella 40 cm (16")
5	528 092 046	1	Cadena de sierra 3/8", 30 cm (12")
5	528 092 052	1	Cadena de sierra 3/8", 35 cm (14")
5	528 092 056	1	Cadena de sierra 3/8", 40 cm (16")
6	952 010 130	1	Prot. cadena de sierra (30-35 cm, 12"-14")
6	952 010 140	1	Prot. cadena de sierra (40 cm, 16")
-	226 211 050	1	Filtro de aceite de la cadena (fieltro)
-	226 211 040	1	Arandela de frenado dentellado (anillo afianzador)

### Accesorios (no incluido en la extensión del suministro)

20	953 100 090	1	Calibrador cadena 3/8"
21	953 004 010	1	Mango de lima
22	953 003 090	1	Lima redonda $\varnothing$ 4 mm
23	953 003 060	1	Lima plana
24	953 030 010	1	Mango de lima cpl. 3/8"



---

**DOLMAR**



**DOLMAR POWER PRODUCTS**  
PO Box 5007  
Alpharetta  
GA 30005-5007

Specifications subject to change without notice  
Changements sans préavis  
Mejoras constructivas sin previo aviso

Form: 995 702 205 (1.08 GB, F, E)